



SD series

60Hz

Submersible Wastewater
Sump Pumps

STAIRS SD series Submersible Wastewater /Sump Pumps are designed for commercial and industrial dewatering, groundwater transferring, effluent transferring, and car washing applications.



STAIRS INDUSTRIAL CO., LTD.


SD
General Data

Model Code	1
Applications	1
Motor	1
Pump	1
Operation Conditions	1
Material	1

Technical Data

Performance Curves (Single Phase)	2
Specifications (Single Phase)	2
Dimensions and (Single Phase)	3
Performance Curves (Three Phase)	4
Specifications (Three Phase)	4
Dimensions and Weights (Three Phase)	5

Guide Rail series

TS	6
TM	6
TL	6

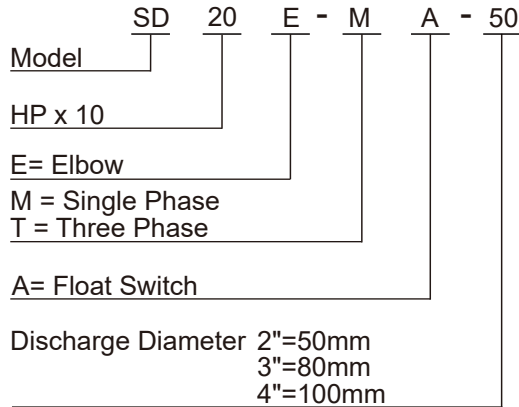
SD Series Submersible Wastewater / Sump Pumps

STAIRS SD series Submersible Wastewater / Sump Pumps are designed for commercial and industrial dewatering, groundwater transferring, effluent transferring, and car washing applications. These pumps include a stainless motor housing, and they are designed to provide great heat dissipation from the motor, ensuring a long service life.

All pumps are 100% pressure-tested, submerged and run to ensure quality and reliability for years of trouble free performance. This attention to detail is an inherent feature of every pump in this series, making it one of the most reliable in the industry.



Model Code



Applications

- Basement water removal
- Waste water drainage
- Water transfer
- Sump/effluent handling
- Dewatering
- Fish pond & fountain circulation
- Factory waste water handling

Motor

- Motor Type : 2 POLE , dry type
- Frequency : 60Hz
Nominal Speed : 3450 rpm
- Insulation Class : F class (155°C)
- Enclosure Protection Class : IP 68
- Protection Device :
Thermal Protector (Single phase)
Overload Protector (Three phase)

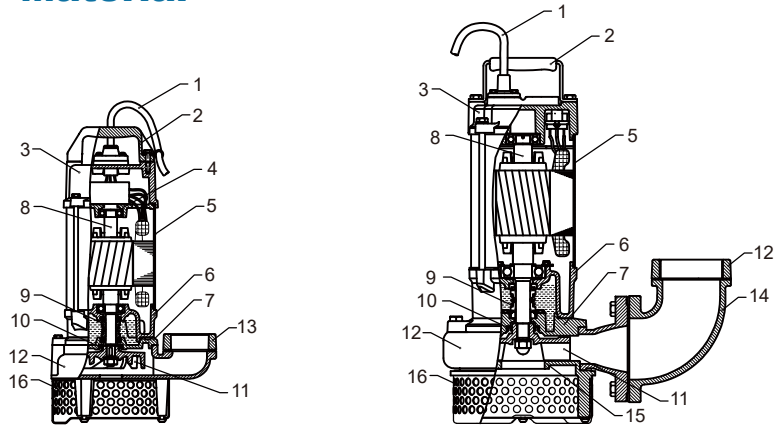
Pump

- Impeller : Semi Open Impeller
- Shaft Seal : Double mechanical seal + oil seal
- Bearing : Double-shielded Ball Bearing

Operation Conditions

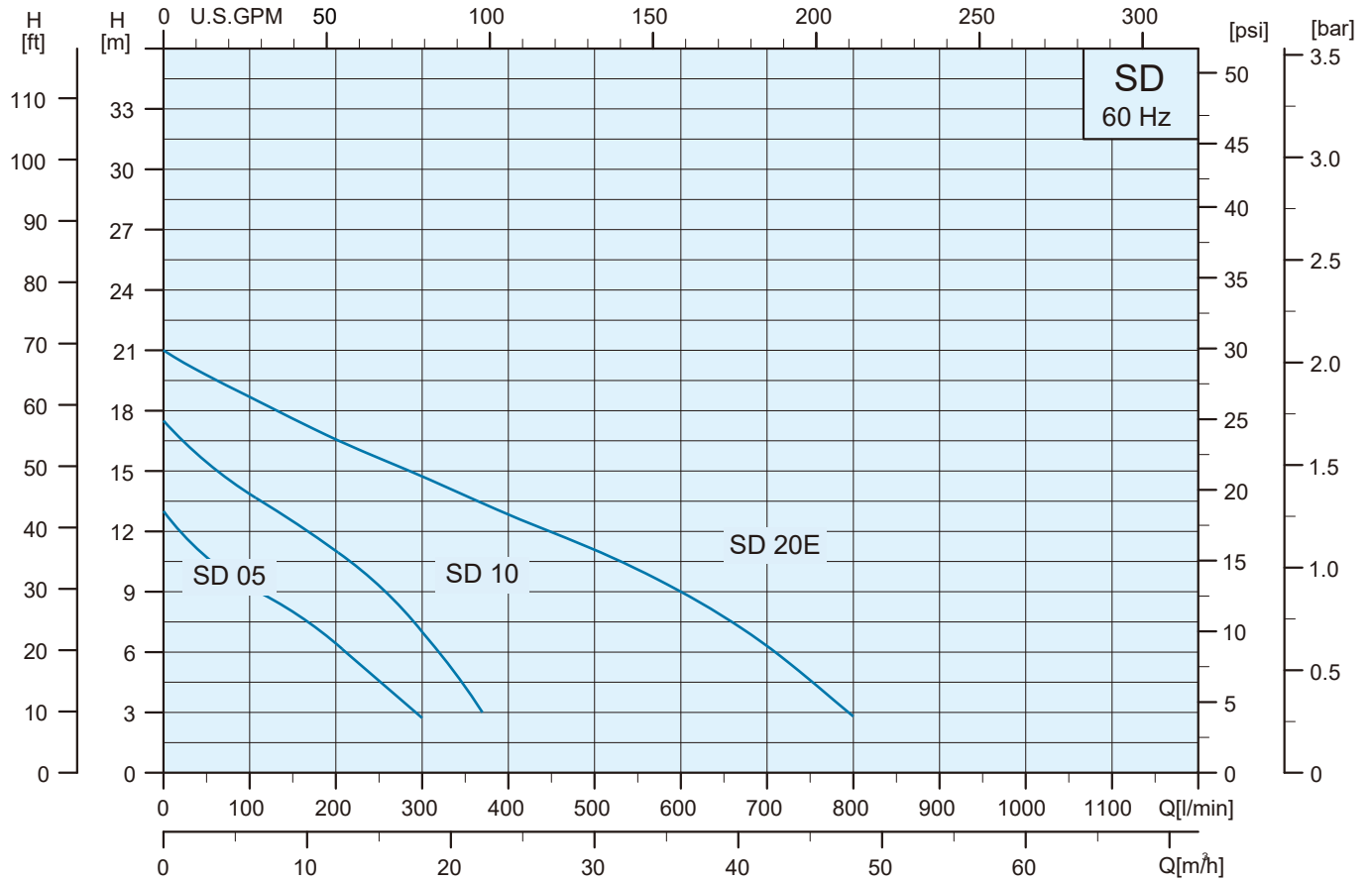
- Fluid Temperature: 0 to 40°C (122°F)

Material



No.	Name	Material
1	Cable	H07RN-F
2	Handle	Nylon6+30GF (0.5~1.0HP)
		AISI 304+NBR (2.0~5.0HP)
3	Motor Cover	FC200
4	Bearing Cap	FC200
5	Motor Frame	AISI 304
6	Bearing Bracket	FC200
7	M.Seal Bracket	FC200
8	Shaft	SUS 410
9	Mechanical Seal	CA/CE,SIC/SIC
10	Oil Seal	NBR 70
11	Impeller	FC200
12	Pump Casing	FC200
13	Flange	FC200
14	Elbow	FC200
15	Suction Cover	FC200
16	Strainer	AISI 304

Performance Curves



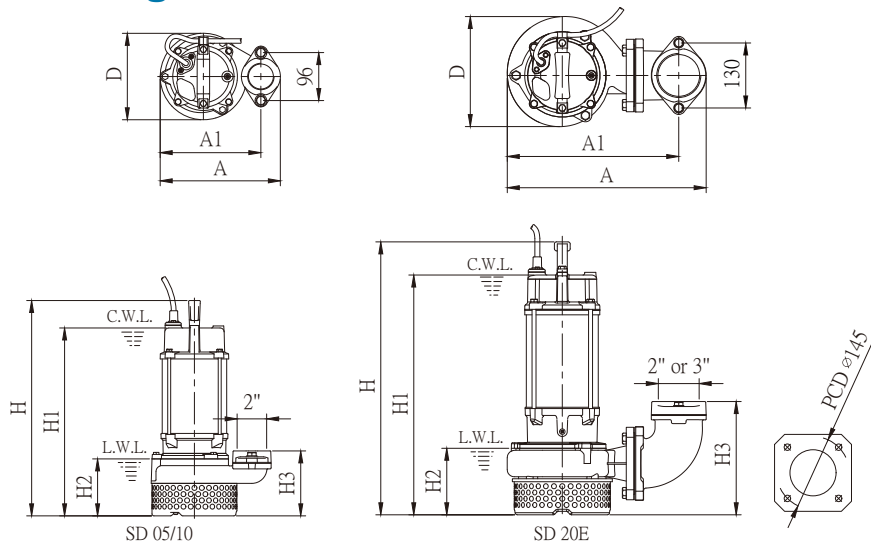
Specifications

Model	Q = DELIVERY													
	L/min	0	100	200	300	400	500	600	700	800	900	1000	1100	1200
	m³/h	0	6	12	18	24	30	36	42	48	54	60	66	72
Single Phase														
SD 05-M-50	H (m)	13.0	9.2	6.5	2.5	—	—	—	—	—	—	—	—	—
SD 10-M-50		17.5	14.2	11.3	7.0	—	—	—	—	—	—	—	—	—
SD 20E-M-50		21.0	18.5	16.5	14.8	13.0	11.0	9.0	6.2	2.8	—	—	—	—
SD 20E-M-80		21.0	18.5	16.5	14.8	13.0	11.0	9.0	6.2	2.8	—	—	—	—
Single Phase Auto Float Switch														
SD 05-MA-50	H (m)	13.0	9.2	6.5	2.5	—	—	—	—	—	—	—	—	—
SD 10-MA-50		17.5	14.2	11.3	7.0	—	—	—	—	—	—	—	—	—
SD 20E-MA-50		21.0	18.5	16.5	14.8	13.0	11.0	9.0	6.2	2.8	—	—	—	—
SD 20E-MA-80		21.0	18.5	16.5	14.8	13.0	11.0	9.0	6.2	2.8	—	—	—	—

Specifications

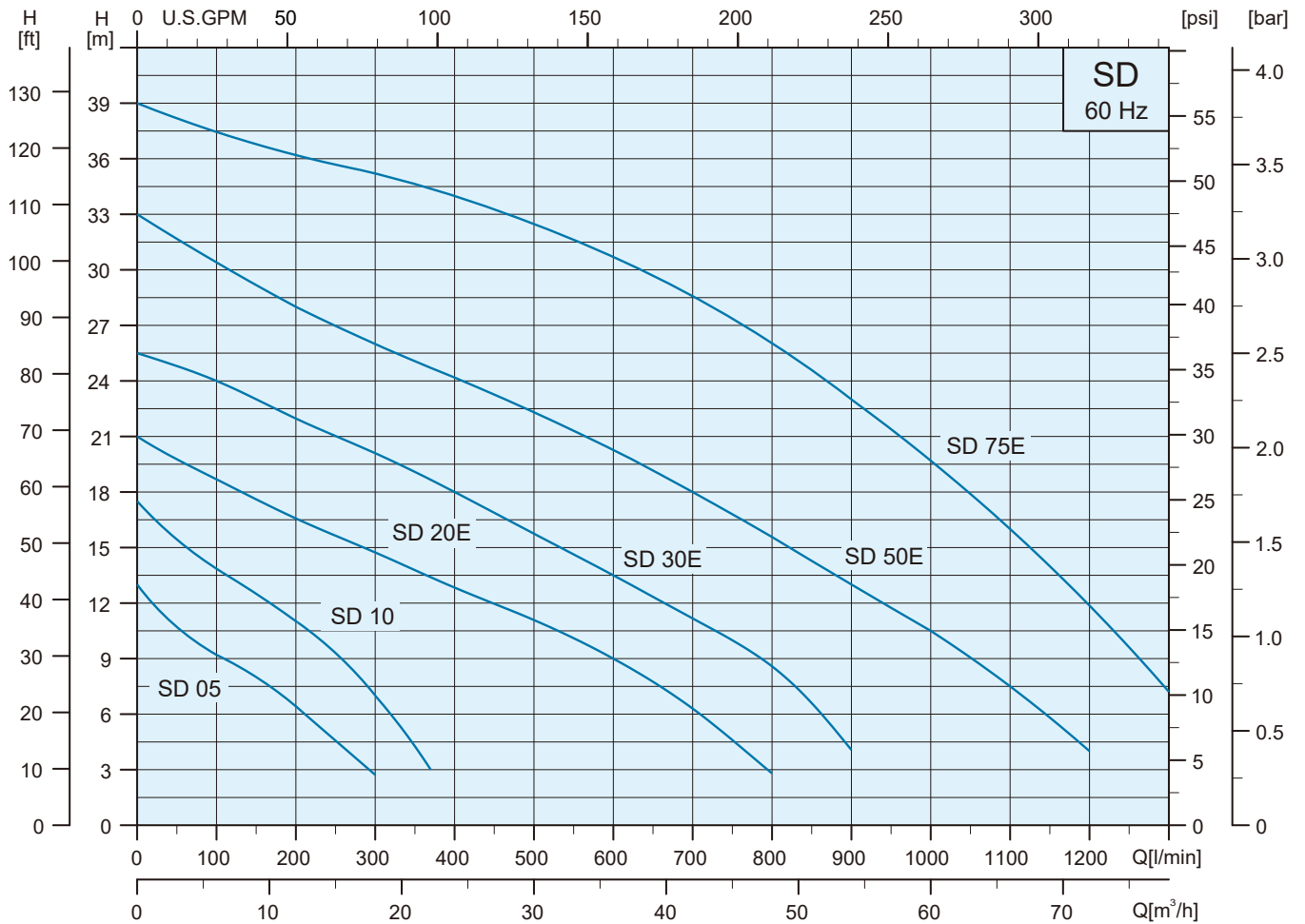
Model	Power		Input kW	Capacitor				Nominal Current [A]		Head		Flow		Discharge inch
	HP	kW		110-127V		220-240V		110 - 127V	220 - 240V	Rated (m)	Max. (m)	Rated (L/min)	Max. (L/min)	
			μF	V	μF	V								
Single Phase														
SD 05-M-50	0.5	0.37	0.6	50	250	12	450	6.6-5.7	3.3-3.1	7.5	13.0	175	300	2"
SD 10-M-50	1.0	0.75	1.0	80	250	20	450	10.6-9.2	5.3-4.9	10.0	17.5	230	370	2"
SD 20E-M-50	2.0	1.5	2.2	—	—	40	450	—	10.0-9.2	11.5	21.0	475	800	2"
SD 20E-M-80	2.0	1.5	2.2	—	—	40	450	—	10.0-9.2	11.5	21.0	475	800	3"
Single Phase Auto Float Switch														
SD 05-MA-50	0.5	0.37	0.6	50	250	12	450	6.6-5.7	3.3-3.1	7.5	13.0	175	300	2"
SD 10-MA-50	1.0	0.75	1.0	80	250	20	450	10.6-9.2	5.3-4.9	10.0	17.5	230	370	2"
SD 20E-MA-50	2.0	1.5	2.2	—	—	40	450	—	10.0-9.2	11.5	21.0	475	800	2"
SD 20E-MA-80	2.0	1.5	2.2	—	—	40	450	—	10.0-9.2	11.5	21.0	475	800	3"

Dimensions and Weights



Model	Solids Passage (mm)	Dimensions (mm)							Cable		Net Weights (kg)
		A	A1	D	H	H1	H2	H3	M	UL(AWG)	
Single Phase											
SD 05-M-50	10	240	201	173	411	356	114	130	10	16x3C	16.5
SD 10-M-50	10	240	201	173	431	376	114	130	10	16x3C	18.5
SD 20E-M-50	10	398	343	220	546	480	133	227	10	14x3C	42.5
SD 20E-M-80	10	398	343	220	546	480	133	227	10	14x3C	42.5
Single Phase Auto Float Switch											
SD 05-MA-50	10	240	201	173	411	356	114	130	10	16x3C	16.5
SD 10-MA-50	10	240	201	173	431	376	114	130	10	16x3C	18.5
SD 20E-MA-50	10	398	343	220	546	480	133	227	10	14x3C	42.5
SD 20E-MA-80	10	398	343	220	546	480	133	227	10	14x3C	42.5

Performance Curves



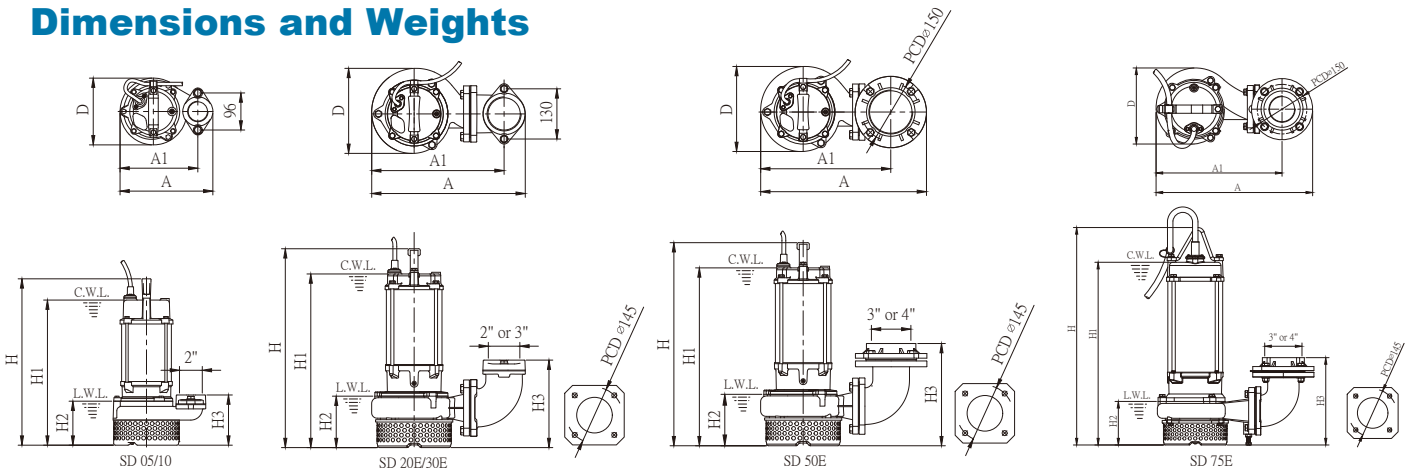
Specifications

Model	Q = DELIVERY														
	L/min	0	100	200	300	400	500	600	700	800	900	1000	1100	1200	1200
	m ³ /h	0	6	12	18	24	30	36	42	48	54	60	66	72	72
Three Phase															
SD 05-T-50	H (m)	13.0	9.2	6.5	2.5	—	—	—	—	—	—	—	—	—	—
SD 10-T-50		17.5	14.2	11.3	7.0	—	—	—	—	—	—	—	—	—	—
SD 20E-T-50		21.0	18.5	16.5	14.8	13.0	11.0	9.0	6.2	2.8	—	—	—	—	—
SD 20E-T-80		21.0	18.5	16.5	14.8	13.0	11.0	9.0	6.2	2.8	—	—	—	—	—
SD 30E-T-50		25.5	24.0	22.0	20.0	18.0	16.0	13.5	11.0	7.5	4.0	—	—	—	—
SD 30E-T-80		25.5	24.0	22.0	20.0	18.0	16.0	13.5	11.0	7.5	4.0	—	—	—	—
SD 50E-T-80		33.0	30.4	28.0	26.0	24.2	22.3	20.2	18.0	15.5	13.0	10.5	7.5	4.0	—
SD 50E-T-100		33.0	30.4	28.0	26.0	24.2	22.3	20.2	18.0	15.5	13.0	10.5	7.5	4.0	—
SD 75E-T-80		39.0	37.5	36.0	35.0	34.0	32.5	30.7	28.5	26.0	23.0	19.5	16.0	12.0	7.0
SD 75E-T-100		39.0	37.5	36.0	35.0	34.0	32.5	30.7	28.5	26.0	23.0	19.5	16.0	12.0	7.0

Specifications

Model	Power		Input	Nominal Current [A]			Head		Flow		Discharge inch
	HP	kW	kW	220-240V	380-400V	460-480V	Rated (m)	Max. (m)	Rated (L/min)	Max. (L/min)	
Three Phase											
SD 05-T-50	0.5	0.37	0.6	2.3-2.2	1.3-1.2	1.3-1.2	7.5	13.0	175	300	2"
SD 10-T-50	1.0	0.75	1.0	3.4-3.3	1.9-1.7	1.9-1.7	10.0	17.5	230	370	2"
SD 20E-T-50	2.0	1.5	2.1	6.3-6.0	3.7-3.2	3.2-3.0	11.5	21.0	475	800	2"
SD 20E-T-80	2.0	1.5	2.1	6.3-6.0	3.7-3.2	3.2-3.0	11.5	21.0	475	800	3"
SD 30E-T-50	3.0	2.2	3.0	8.8-8.5	5.0-4.5	4.8-4.7	14.0	25.7	580	940	2"
SD 30E-T-80	3.0	2.2	3.0	8.8-8.5	5.0-4.5	4.8-4.7	14.0	25.7	580	940	3"
SD 50E-T-80	5.0	3.7	4.6	13.6-13.0	8.2-7.7	7.7-7.3	20.5	33.0	590	1200	3"
SD 50E-T-100	5.0	3.7	4.6	13.6-13.0	8.2-7.7	7.7-7.3	20.5	33.0	590	1200	4"
SD 75E-T-80	7.5	5.5	6.9	20.0~18.5	12.0~11.0	10.5~9.5	29.0	39.0	680	1300	3"
SD 75E-T-100	7.5	5.5	6.9	20.0~18.5	12.0~11.0	10.5~9.5	29.0	39.0	680	1300	4"

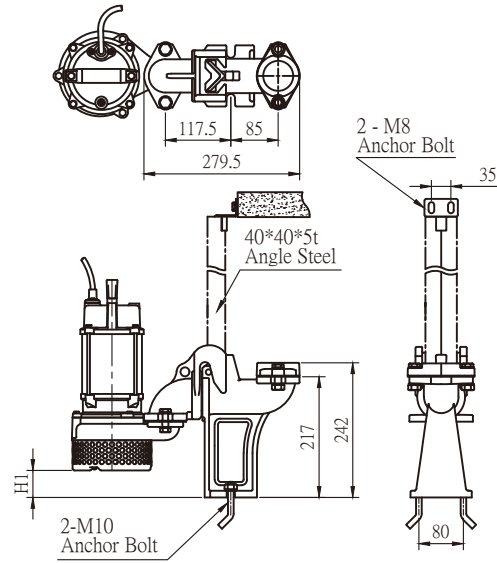
Dimensions and Weights



Model	Solids Passage (mm)	Dimensions (mm)							Cable		Net Weights (kg)
		A	A1	D	H	H1	H2	H3	M	UL(AWG)	
Three Phase											
SD 05-T-50	10	240	201	173	411	356	114	130	10	16x4C	15.5
SD 10-T-50	10	240	201	173	431	376	114	130	10	16x4C	17.5
SD 20E-T-50	10	398	343	220	506	441	133	227	10	14x4C	36.0
SD 20E-T-80	10	398	343	220	506	441	133	227	10	14x4C	36.0
SD 30E-T-50	10	398	343	220	506	441	133	227	10	14x4C	38.5
SD 30E-T-80	10	398	343	220	506	441	133	227	10	14x4C	38.5
SD 50E-T-80	10	430	337	220	526	461	133	265	10	14x4C	45.0
SD 50E-T-100	10	430	337	220	526	461	133	265	10	14x4C	45.0
SD 75E-T-80	10	474	380	230	658	553	132	265	10	12x4C	62.0
SD 75E-T-100	10	474	380	230	658	553	132	265	10	14x4C	62.0

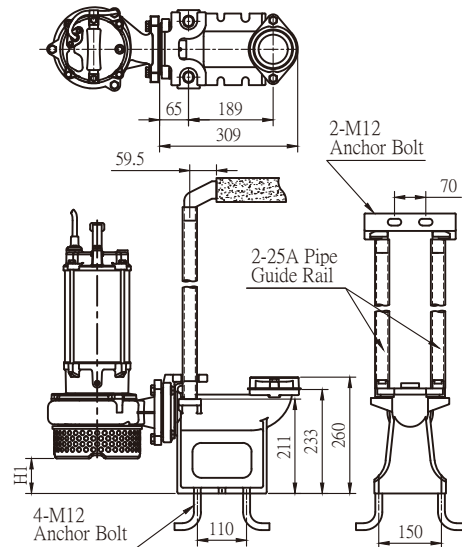
TS

Guide Rail Model	Pump Model	Dimensions (mm)
		H1
TS 50	SD 05	31.0
	SD 10	



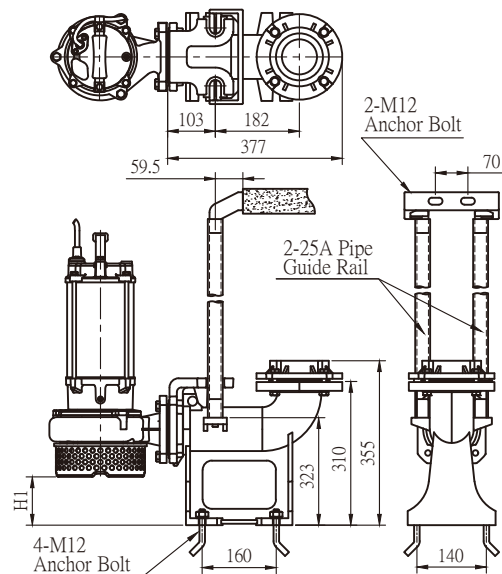
TM

Guide Rail Model	Pump Model	Dimensions (mm)
		H1
TM 50 TM 80	SD 20E	77.5
	SD 30E	
	SD 50E	



TL

Guide Rail Model	Pump Model	Dimensions (mm)
		H1
TL 80 TL 100	SD 50E	104.5
	SD 75E	





 **STAIRS**

No. 3-8, Sanchial Tsun, Lutsao Hsiang, Chiayi County, Taiwan, R.O.C.
Tel : +886 5 3750488 Fax: +886 5 3752330
www.stairs.com.tw E-mail: stairs@stairs.com.tw

1100917