

AHW / AHWS

50/60Hz

Hot Water Circulator Pump
Booster Pump Of Water Heater

The AHW(S) series is a high
energy-efficient variable
speed circulator pump




AHW / AHWS
General Data

Model Code	1
Applications	1
Features	1
Pumped Liquids	1
Operating Conditions	1
Accessories	1
Control Panel	1

Technical Data

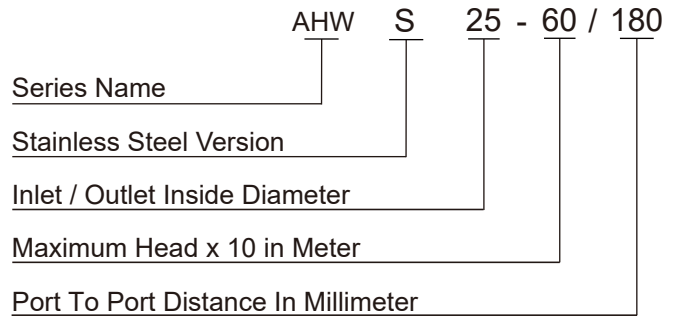
AHW(S) 25-40-130	2
AHW(S) 25-40-160	2
AHW(S) 25-60-130	3
AHW(S) 25-60-160	3

Hot Water Circulator Pump Booster Pump Of Water Heater

The AHW(S) series is a high energy-efficient variable speed circulator pump, this series pumps provide 8 different modes selection, such as Highest/Lowest proportional pressure, Highest/ Lowest constant pressure, Highest/ Medium/ Lowest constant speed, and Night version to replace existing fixed speed circulators in order to meet most circulation systems.



Model Code



Applications

- Specifically designed for single and double-heating systems.
- Ground source heat systems.
- Boiler/Solar water heating systems.
- Hot-water recirculation systems.
- Water circulation for cooling air-conditioning systems.
- High temperature liquids recycle systems.

Features

- High-efficiency motor design saving huge electricity
- Classical display panel makes the selection process easily
- Low noise operation
- Compact design easy to installation
- Optional Cast iron or stainless steel materials for wide range applications.
- EEI ≤ 0.23 according to 2009/125/EC Directive

Pumped Liquids

Clean water, non-corrosive and non-abrasive liquids.

Operating Conditions

Max. Ambient temperature: 50°C (122°F)
 Max. Liquid temperature: 110°C(230°F)
 Long time use temperature 80°C(176°F)

Accessories

Union Sets

Optional

Inlet/Outlet	Material
1-1/2 x 3/4	304SS
1-1/2 x 1	304SS

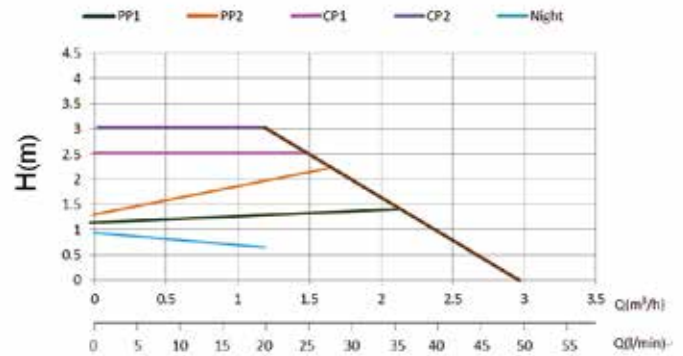
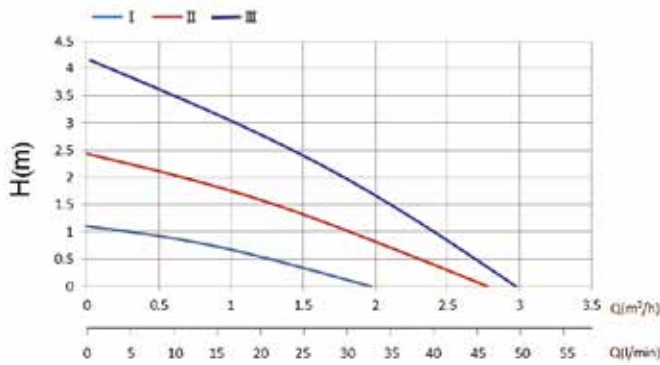


Control Panel

Display definition	Explanation
light fields indicating the actual power watts	Actual power consumption in watts
Function III	Highest constant speed
Function II	Medium constant speed
Function I	Lowest constant speed
Function PP1	Lowest proportional pressure curve
Function PP2	Highest proportional pressure curve
Function CP1	Lowest constant pressure curve
Function CP2	Highest constant pressure curve
Night version	NIGHT SETBACK
	TURNDOWN

Performance Curves

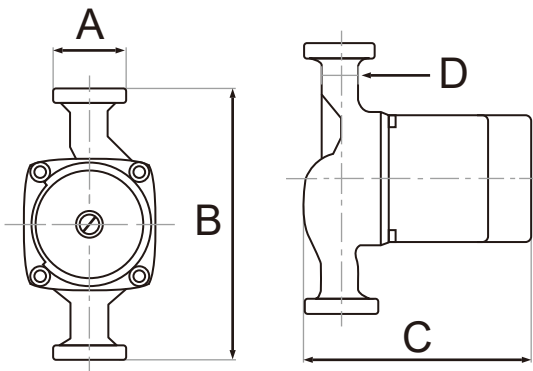
4M



Specifications

Model	Hz	Phase	Voltage	Max.Flow (L/min)	Max.Head (m)	Power (w)	Inlet/Outlet
AHW(S) 25-40-130	50	1Ø	200-240V	49	4	3-23	1-1/2
	60						
AHW(S) 25-40-180	50	1Ø	200-240V	49	4	3-23	1-1/2
	60						

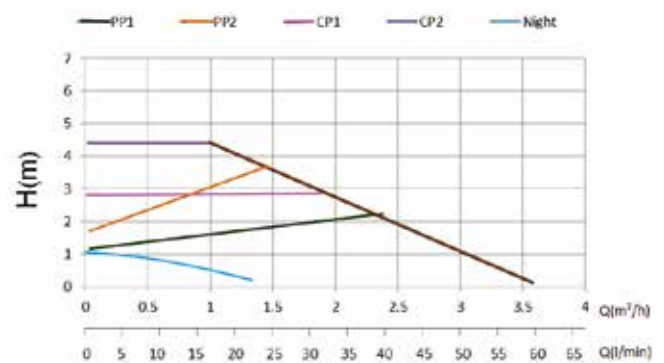
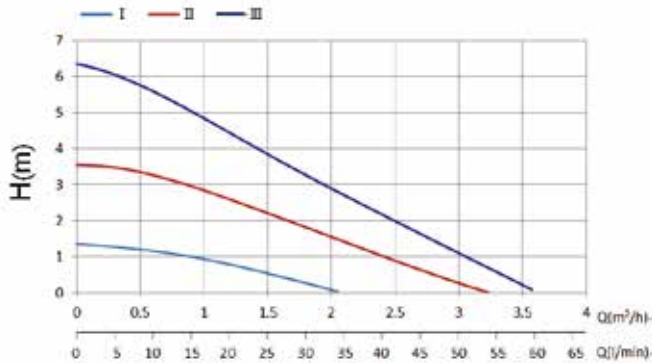
Dimensions and Weights



Model	Dimensions (mm)				Net Weight (kg)
	A	B	C	D	
AHW(S) 25-40-130	1-1/2"	130 or 180	175	3/4"	2.15
AHW(S) 25-40-180	1-1/2"	130 or 180	175	3/4"	2.45

Performance Curves

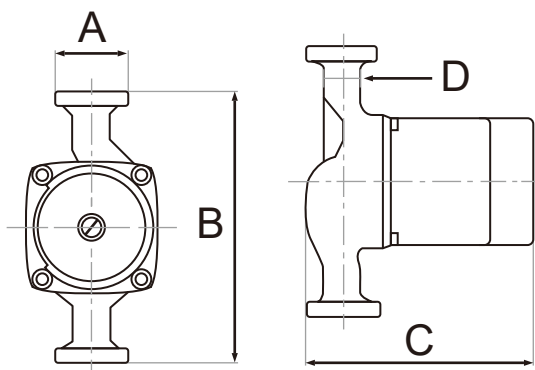
6M



Specifications

Model	Hz	Phase	Voltage	Max.Flow (L/min)	Max.Head (m)	Power (w)	Inlet/Outlet
AHW(S) 25-60-130	50	1Ø	200-240V	60	6	4-40	1-1/2
	60						
AHW(S) 25-60-180	50	1Ø	200-240V	60	6	4-40	1-1/2
	60						

Dimensions and Weights



Model	Dimensions (mm)				Net Weight (kg)
	A	B	C	D	
AHW(S) 25-60-130	1-1/2"	130 or 180	175	3/4"	2.15
AHW(S) 25-60-180	1-1/2"	130 or 180	175	3/4"	2.45



 **STAIRS**

No. 3-8, Sanchial Tsun, Lutsao Hsiang, Chiayi County, Taiwan
Tel :+886 5 3750488 Fax:+886 5 3752330
www.stairs.com.tw E-mail:stairs@stairs.com.tw

1110617