



PRESSURE TANK

Features:

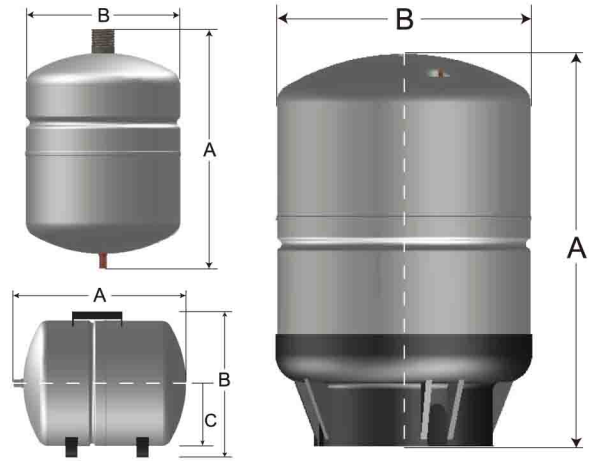
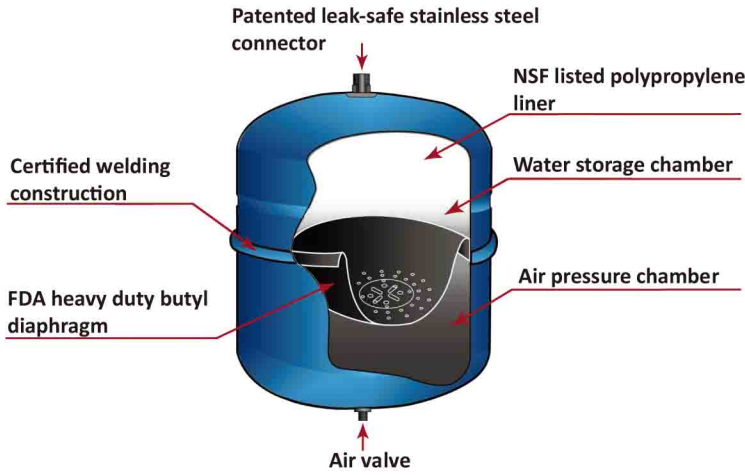
- ◆ NSF Standard 61, IAPMO PS 88, CE Approved
- ◆ High strength steel safety construction
- ◆ FDA heavy duty butyl diaphragm
- ◆ NSF listed polypropylene liner
- ◆ Indoor/outdoor rust free triple coating technology
- ◆ Patented leak-safe stainless connector
- ◆ 100% Pressure test
- ◆ No maintenance
- ◆ 5 Year limited warranty

www.stairs.com.tw



PRESSURE TANK

Aquafos water tanks are suited for all water systems: industrial, domestic and agricultural. The tanks are constructed of a polypropylene liner combined with high grade butyl diaphragm to isolate water and air. This provides a closed system for drinking water preventing the growth of bacteria and vermin intrusion. The cast stainless steel water connection is used for corrosion resistance. All tanks are quality tested to ensure the structural integrity of every tank.



Specifications

| Model | | Volume | | Dimensions | | | | Connection Size | Shipping Volume (box) | | Shipping Weight | |
|---------------------------|---------|--------|-----|------------|------|-----|------|-----------------|-----------------------|--------|-----------------|-------|
| BSP | NPT | Liter | Gal | A | | B | | | cu. M | cu. ft | Kg | lbs |
| | | | | mm | inch | mm | inch | | | | | |
| SPTB1 | SPTN1 | 1 | 0.3 | 140 | 5.5 | 130 | 5.1 | 1" / 3/4" | 0.005 | 0.12 | 1.0 | 2.2 |
| SPTB3 | SPTN3 | 3 | 0.5 | 215 | 8.6 | 130 | 5.1 | 1" / 3/4" | 0.006 | 0.15 | 1.2 | 2.7 |
| SPTB8 | SPTN8 | 8 | 2.0 | 290 | 11.4 | 203 | 8.0 | 1" / 3/4" | 0.015 | 0.52 | 2.5 | 5.5 |
| SPTB12 | SPTN12 | 12 | 3.2 | 390 | 15.4 | 236 | 9.3 | 1" / 3/4" | 0.021 | 0.73 | 3.2 | 7.1 |
| SPTB18 | SPTN18 | 18 | 4.5 | 390 | 15.4 | 280 | 11.0 | 1" / 3/4" | 0.032 | 1.13 | 3.7 | 8.2 |
| SPTB24 | SPTN24 | 24 | 6.0 | 415 | 16.3 | 295 | 11.6 | 1" / 3/4" | 0.037 | 1.32 | 4.6 | 10.1 |
| SPTB38 | SPTN38 | 38 | 10 | 550 | 21.7 | 295 | 11.6 | 1" / 3/4" | 0.054 | 1.91 | 6.4 | 14.0 |
| Vertical Models with Base | | | | | | | | | | | | |
| SPTB58 | SPTN58 | 58 | 15 | 630 | 24.8 | 381 | 15.0 | 1" / 3/4" | 0.108 | 3.80 | 9.7 | 21.4 |
| SPTB80 | SPTN80 | 80 | 20 | 780 | 30.7 | 381 | 15.0 | 1" / 3/4" | 0.133 | 4.70 | 13.0 | 28.6 |
| SPTB100 | SPTN100 | 100 | 28 | 995 | 39.2 | 381 | 15.0 | 1" / 3/4" | 0.170 | 6.00 | 15.5 | 34.1 |
| SPTB130 | SPTN130 | 130 | 34 | 750 | 29.5 | 560 | 22.0 | 1-1/4" | 0.238 | 8.40 | 22.0 | 48.4 |
| SPTB160 | SPTN160 | 160 | 44 | 915 | 36.0 | 560 | 22.0 | 1-1/4" | 0.292 | 10.30 | 25.5 | 56.1 |
| SPTB235 | SPTN235 | 235 | 62 | 1160 | 45.6 | 560 | 22.0 | 1-1/4" | 0.370 | 13.06 | 36.5 | 80.3 |
| SPTB305 | SPTN305 | 305 | 81 | 1450 | 57.2 | 560 | 22.0 | 1-1/4" | 0.449 | 15.84 | 46.8 | 103.0 |

Horizontal Models

| Model | | Volume | | Dimensions | | | | | | Connection Size | Shipping Volume (box) | | Shipping Weight | |
|---------|---------|--------|-----|------------|------|-----|------|-----|------|-----------------|-----------------------|--------|-----------------|------|
| BSP | NPT | Liter | Gal | A | | B | | C | | | cu. M | cu. ft | kg | lbs |
| | | | | mm | Inch | mm | Inch | mm | Inch | | | | | |
| SPTB18H | SPTN18H | 18 | 4.5 | 390 | 15.4 | 300 | 12.0 | 140 | 5.5 | 1" / 3/4" | 0.038 | 1.33 | 5.0 | 11.0 |
| SPTB24H | SPTN24H | 24 | 6.0 | 415 | 16.3 | 320 | 12.6 | 148 | 5.8 | 1" / 3/4" | 0.004 | 1.55 | 6.0 | 13.2 |
| SPTB38H | SPTN38H | 38 | 10 | 550 | 21.7 | 320 | 12.6 | 148 | 5.8 | 1" / 3/4" | 0.063 | 2.22 | 7.8 | 17.2 |
| SPTB58H | SPTN58H | 58 | 14 | 530 | 22.0 | 425 | 17.0 | 190 | 7.5 | 1" / 3/4" | 0.104 | 3.68 | 11.7 | 25.7 |
| SPTB80H | SPTN80H | 80 | 20 | 730 | 30.0 | 425 | 17.0 | 190 | 7.5 | 1" / 3/4" | 0.143 | 5.05 | 15.0 | 33.0 |



STAIRS PUMPS

STAIRS INDUSTRIAL CO., LTD.

NO. 3-8, Sanchial Tsun, Lutsao Hsiang,

Chiai Hsien, Taiwan

Tel: +886(0)53750488

Fax: +886(0)53755658

E-Mail: stairs@stairs.com.tw

All tanks are pre-charged at 30 psi / 2 bar unless stated otherwise.
 Maximum Working Pressure: 150 psi / 10 bar
 Maximum Working Temperature: 200°F/90°C



www.stairs.com.tw