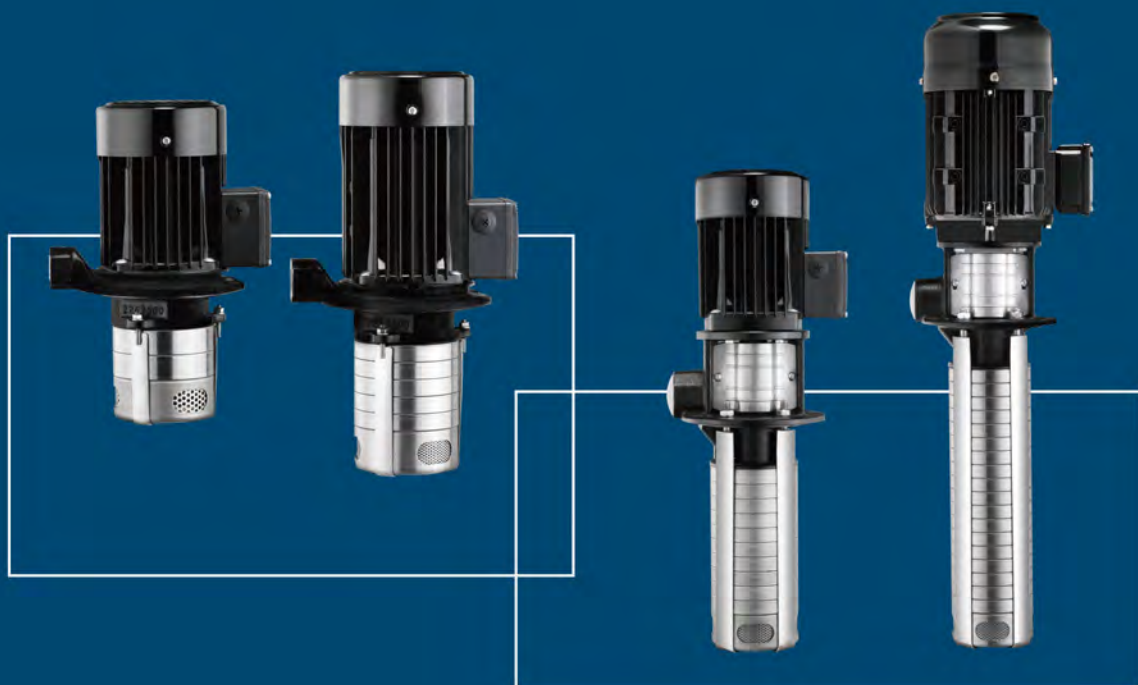


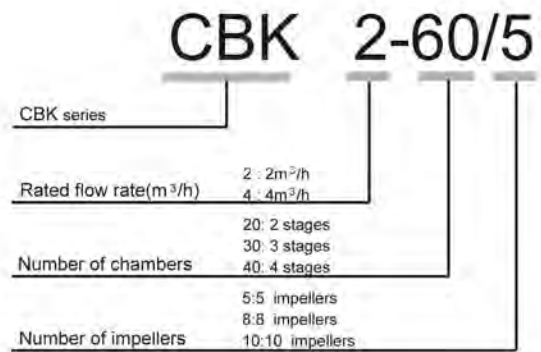
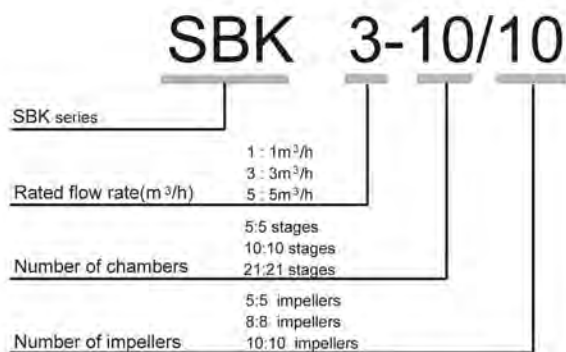
SBK 1, 3, 5 series
CBK 2, 4 series
Immersible pump

50/60Hz



Page	Pump type	Description
2	SBK	General Data
4	SBK	Material
5	SBK	Performance Range 50Hz
6	SBK	1 series 50Hz Technical data
8	SBK	3 series 50Hz Technical data
10	SBK	5 series 50Hz Technical data
12	SBK	Performance Range 60Hz
13	SBK	1 series 60Hz Technical data
15	SBK	3 series 60Hz Technical data
17	SBK	5 series 60Hz Technical data
19	CBK	General Data
21	CBK	Material
22	CBK	Performance Range 50 Hz
23	CBK	2 series 50Hz(Dual Frequency) Technical data
27	CBK	4 series 50Hz(Dual Frequency) Technical data
30	CBK	Performance Range 60 Hz
31	CBK	2 series 60Hz(Dual Frequency) Technical data
35	CBK	4 series 60Hz(Dual Frequency) Technical data
38		Installation

Type Keys



General Data

SBK

Feature

Compact design / High Efficiency Reliability /
Easy installation / Wide Range

Application

Cooling units / Grinding machines /
Machine centers / Spark machine tools /
Filtering systems /
Industrial washing machines



SBK pumps are vertical multistage centrifugal pumps especially designed for pumping of cooling lubricants for machine tools, and to be mounted on top of tanks with the pump stack immersed in the pumped liquid. STAIRS SBK pumps are available with various pump sizes and various numbers of stages to provide the flow, the pressure and the length required.

SBK 50Hz Product Data

Range	1	3	5
Frequency	50Hz	50Hz	50Hz
Rated flow rate(m ³ /h)	1	3	5
Flow range (m ³ /h)	0.7~2.4	1.2~4.5	2.5~8.5
Maximum head (bar)	22	23	24
Motor power (kW)	0.37~2.2	0.37~3.0	0.37~5.5
Temperature range (°C)	-10 to +90		

Pipe connection

Union G 1 1/4

SBK 60Hz Product Data

Range	1	3	5
Frequency	60Hz	60Hz	60Hz
Rated flow rate (m ³ /h)	1.2	3.6	6
Flow range (m ³ /h)	0.8~2.9	1.4~5.4	3~10
Maximum head (bar)	24	23	23
Motor power (kW)	0.37~2.2	0.37~4.0	0.55~7.5
Temperature range (°C)	-10 to +90		

Pipe connection

Union G 1 1/4

Pumped Liquids

Do not pump the explosive or aggressive liquids and the liquids should be free of fibers. The SBK pumps have the strainer in the suction chamber with inlet to prevent large particles from entering and damaging the pump. In order to avoid the larger particles block the filters, we suggest to filtrate elementarily before pumping the liquids with particles.

Pump Type	Particles handling of filter[mm]	Particles handling of impeller[max. mm]
SBK 1	2	2.1
SBK 3	2	3.1
SBK 5	4	5.5

NOTE: Do not remove the filters.

Mechanical Seals

Standard Cartridge type mechanical seal made of Silicon carbide/Silicon carbide EPDM or Viton. Based on the type of application, alternative materials are available for the seal and the elastomers. The cartridge type mechanical seal can be replaced in minutes without special tools and without dismantling the pump.

List of materials

Q: Silicon carbide V: Viton E: EPDM
U: Tungsten carbide

Type of Seal

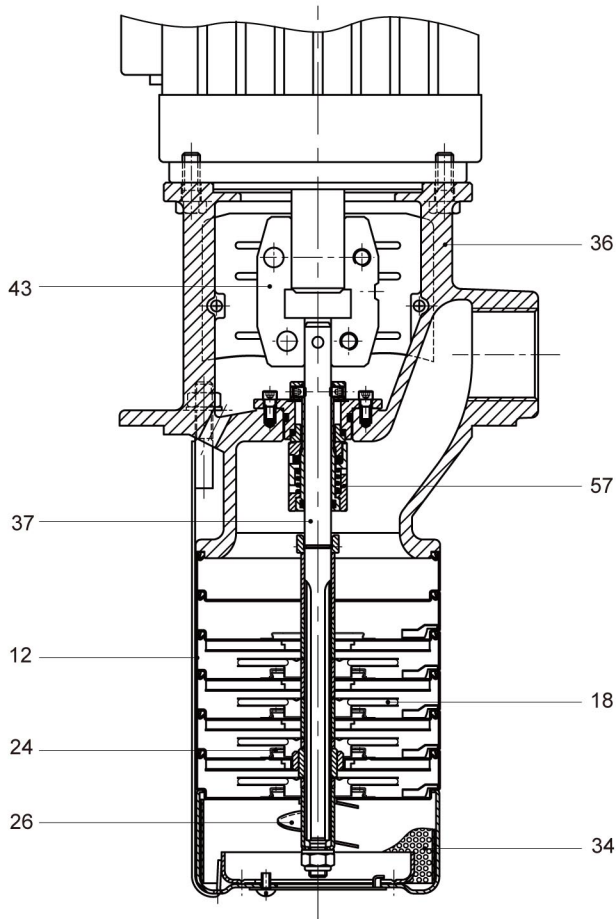
	SQQV	Standard
	SQQE	Optional
	SUUV	Optional
	SUUE	Optional

Motor Data

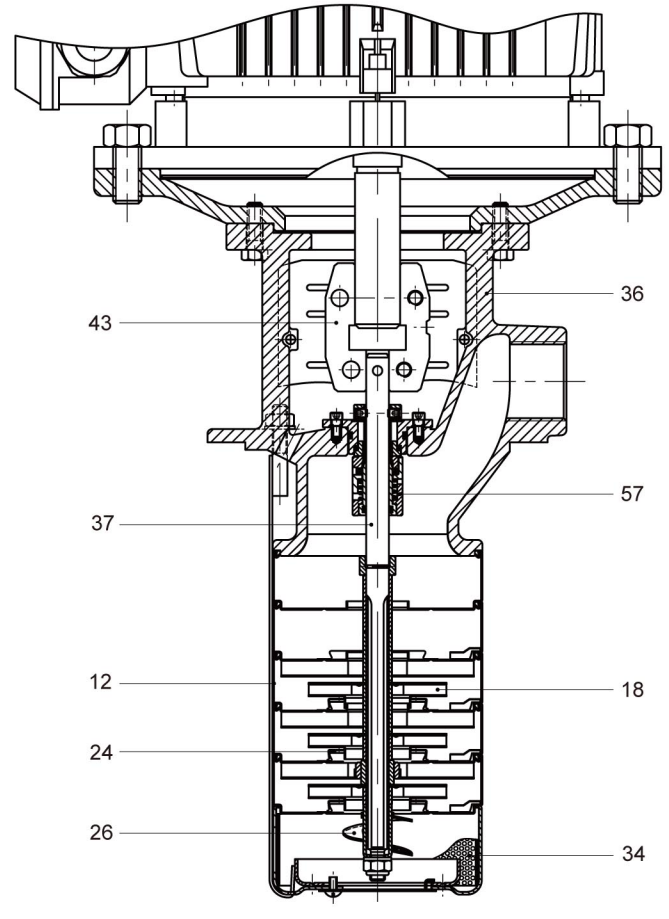
SBK is fitted with totally enclosed fan-cooled, 2-pole standard motor.

Enclosure class : IP 55
 Insulation class : F
 Ambient temperature : Max. + 50°C
 Supply voltage 50 Hz: 3X220-240/380-415V
 Supply voltage 60 Hz: 0.37-1.1kW 3X220-255/380-440V
 1.5-7.5 kW 3X220-277/380-480V

SBK 1,3

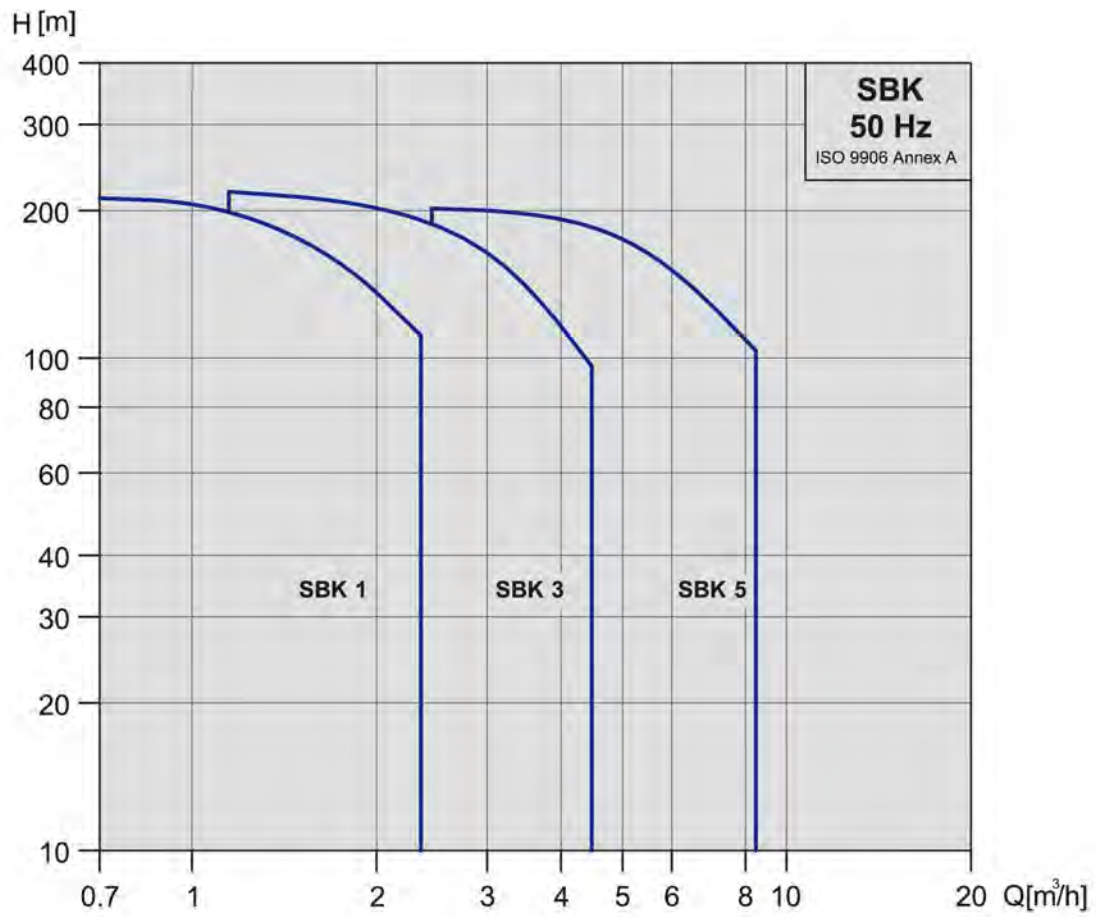


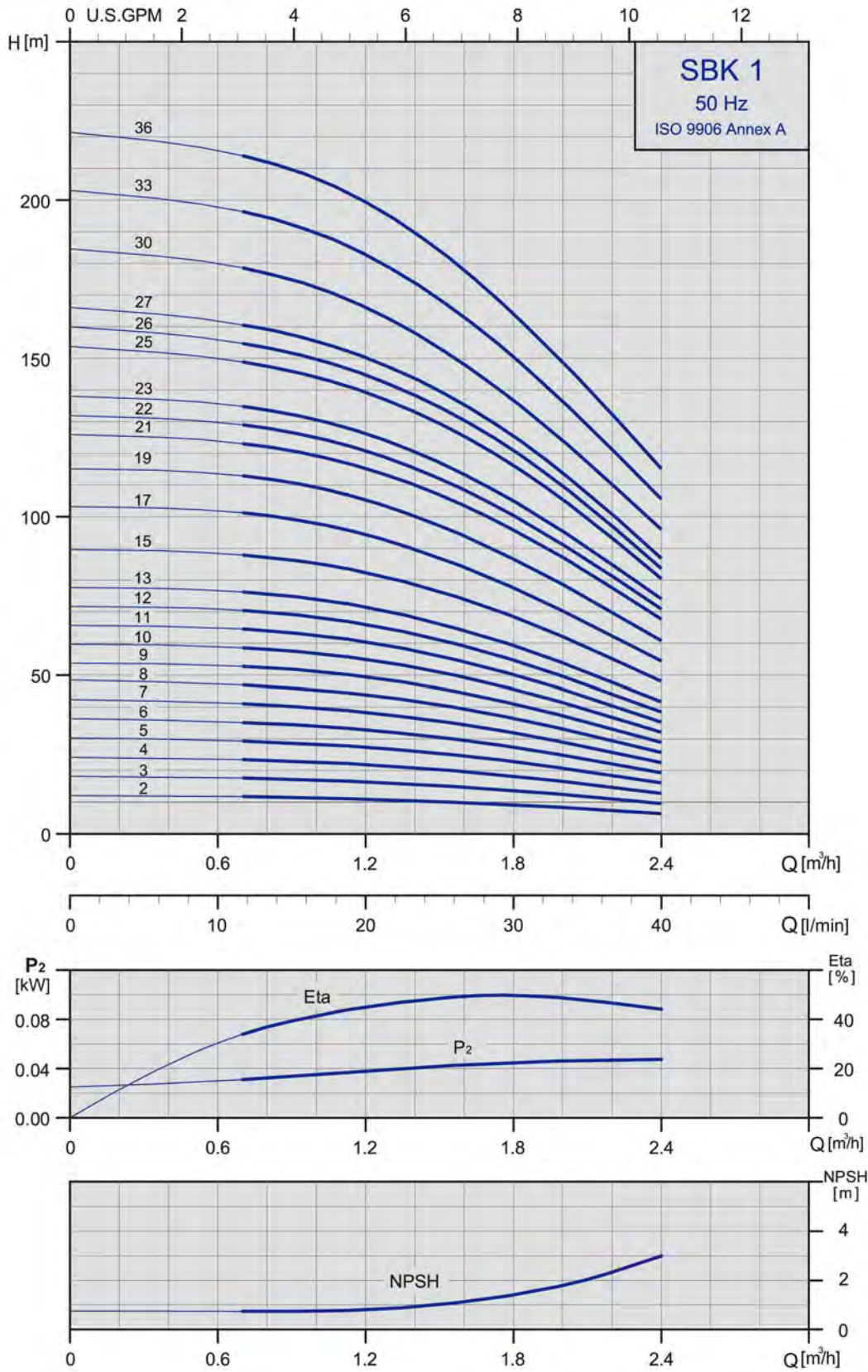
SBK 5

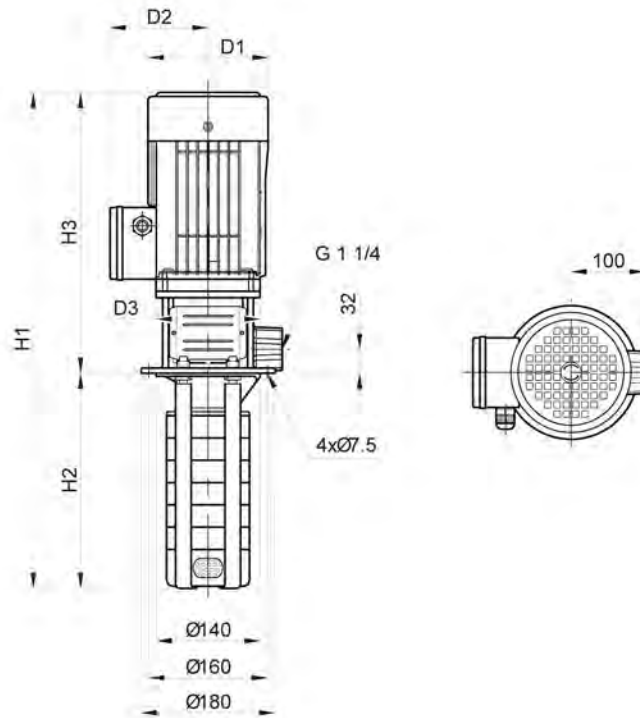


Pos.	Name	Material	Europe	AISI/ASTM
12	Chamber complete	Stainless steel	1.4301	AISI 304
18	Impeller	Stainless steel	1.4301	AISI 304
24	Neck ring	PTFE		
26	Priming screw	Stainless steel	1.4301	AISI 304
34	Strainer	Stainless steel	1.4301	AISI 304
36	Pump head	Cast Iron EN-GJL-220	0.6020	ASTM 25B
37	Pump shaft	Stainless steel	1.4057	AISI 431
43	Coupling			
57	Shaft seal	SQQV/SQQE SUUV/SUUE		

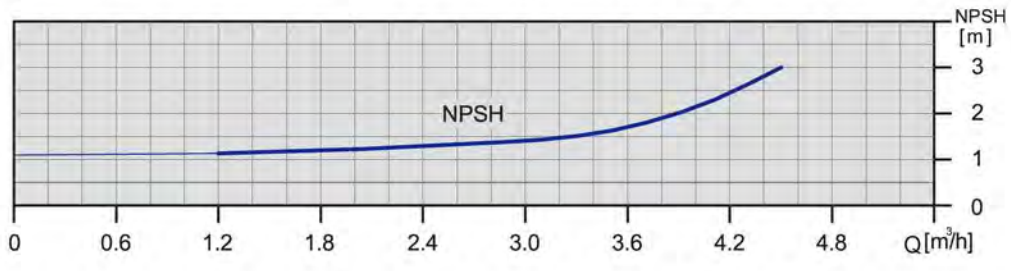
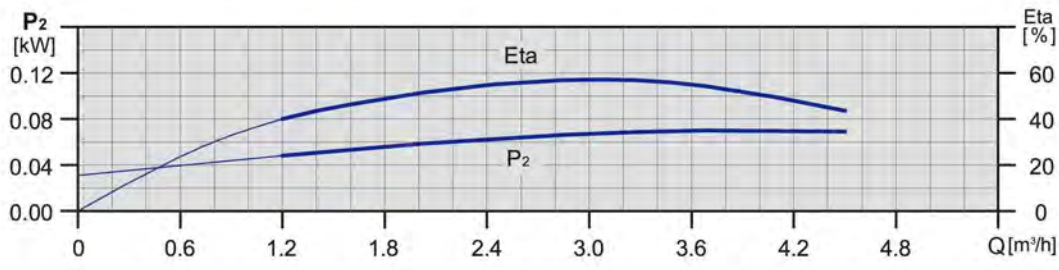
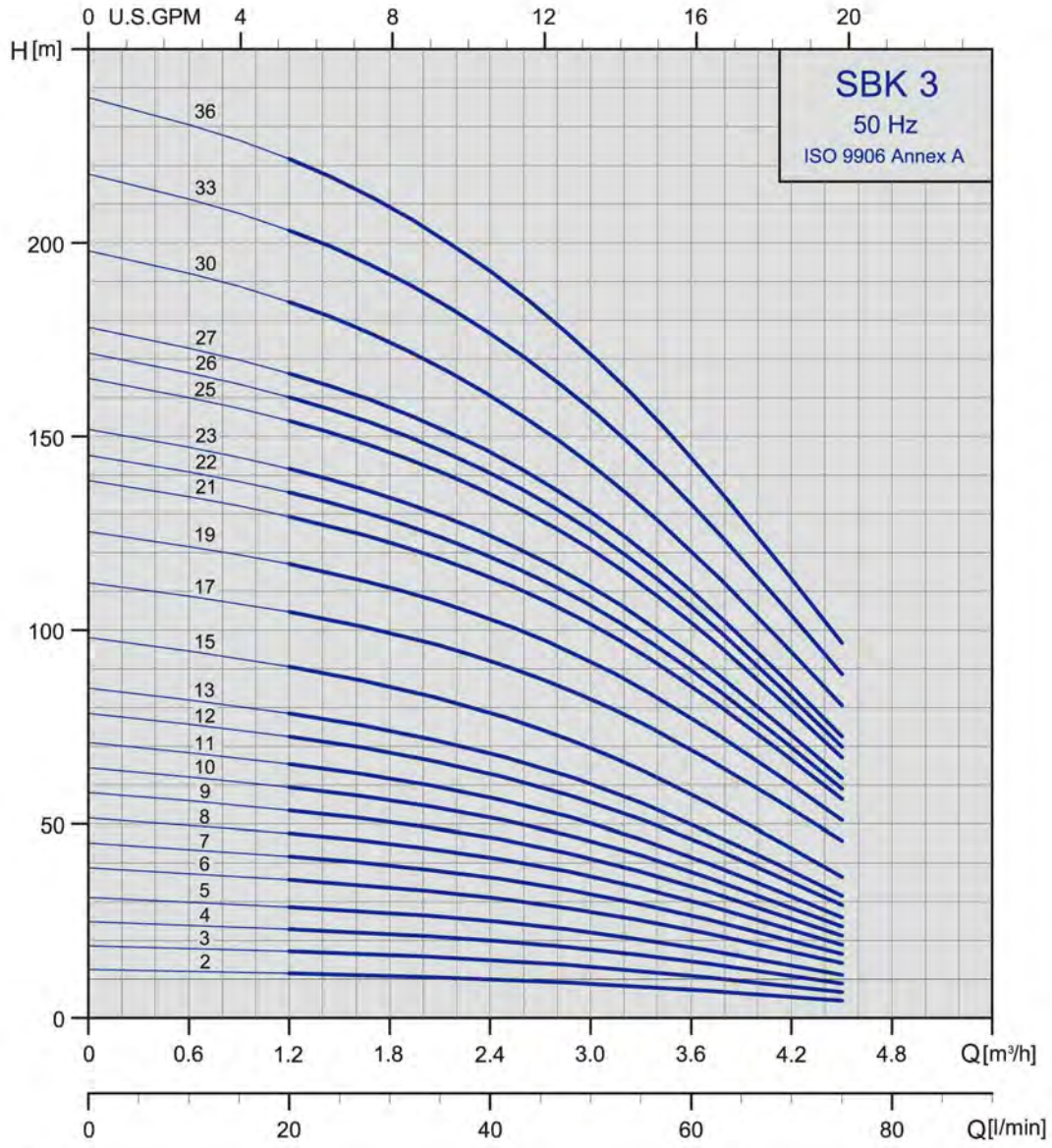
SBK 1,3,5

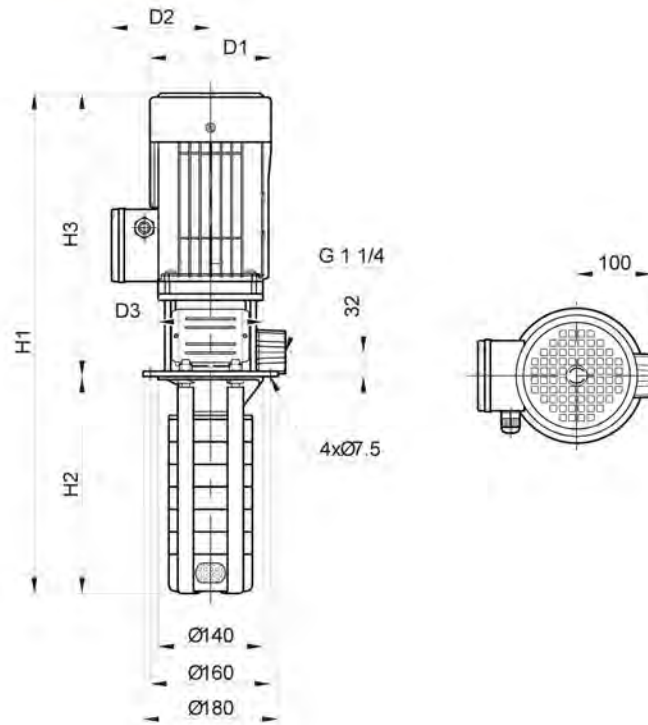




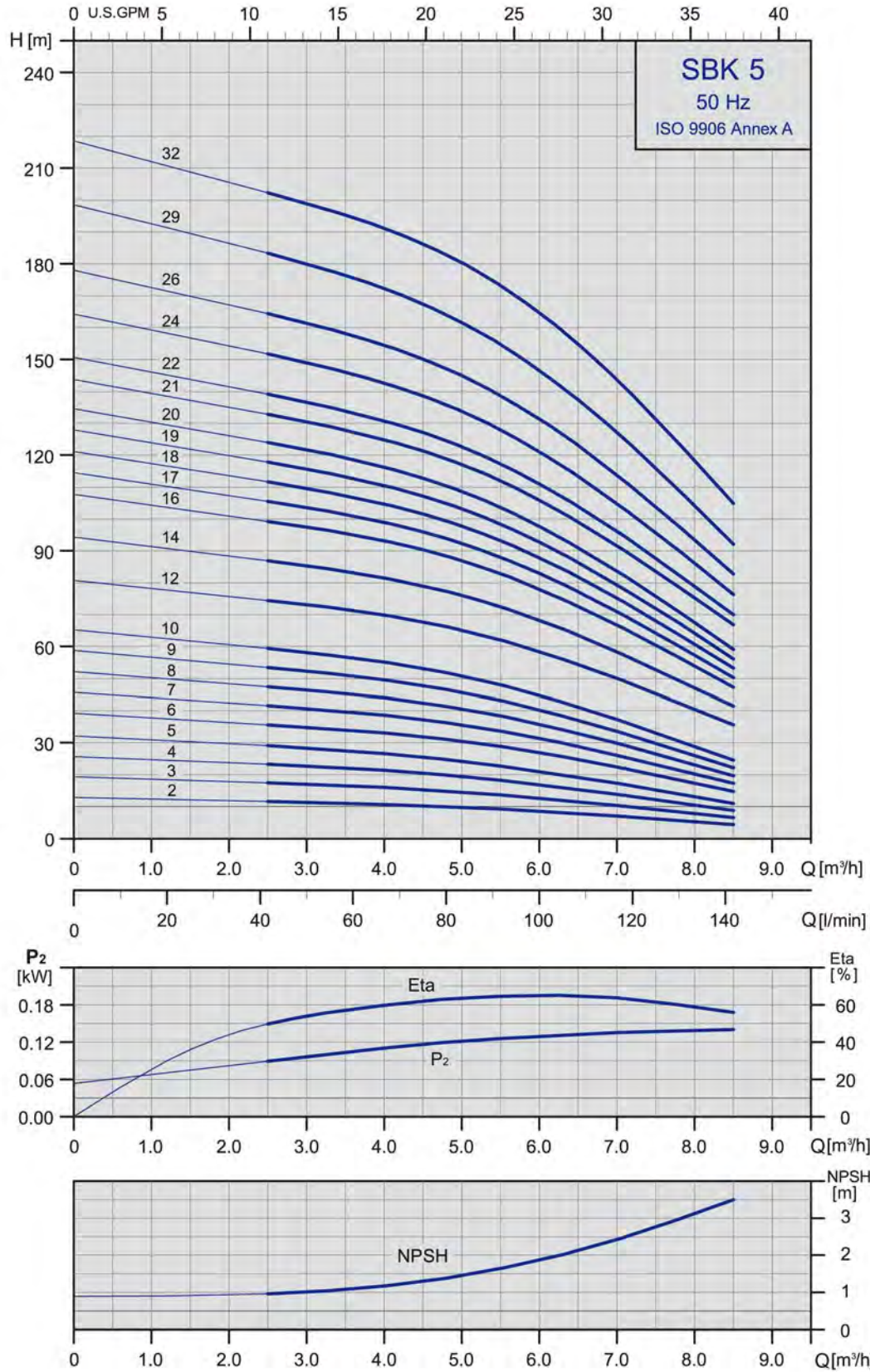


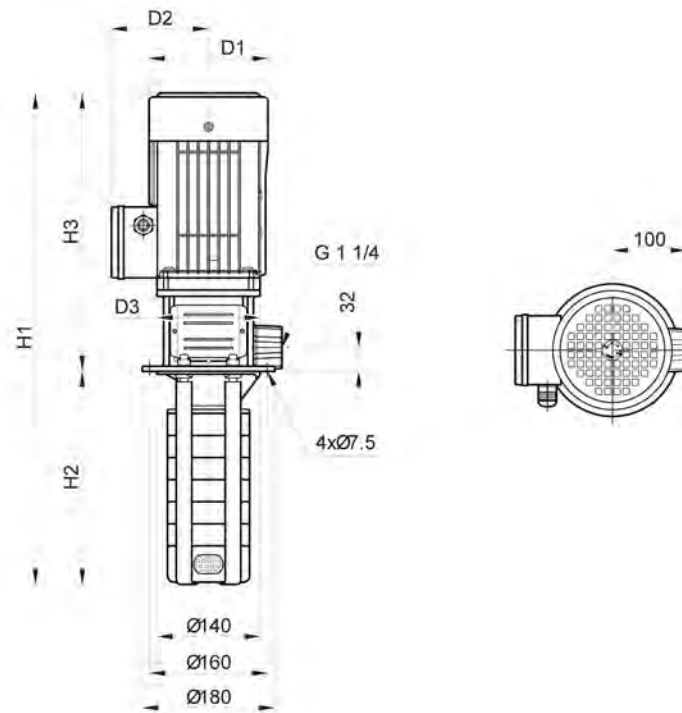
Pump Type	Motor P2		Dimension (mm)						Net Weight (kg)
	kW	HP	H1	H2	H3	D1	D2	D3	
SBK 1-2/2	0.37	0.5	465.4	160	305.4	141	115	140	12.1
SBK 1-3/3	0.37	0.5	483.4	178	305.4	141	115	140	12.3
SBK 1-4/4	0.37	0.5	501.4	196	305.4	141	115	140	12.5
SBK 1-5/5	0.37	0.5	519.4	214	305.4	141	115	140	12.7
SBK 1-6/6	0.37	0.5	537.4	232	305.4	141	115	140	13.0
SBK 1-7/7	0.37	0.5	555.4	250	305.4	141	115	140	13.2
SBK 1-8/8	0.55	0.75	573.4	268	305.4	141	115	140	13.9
SBK 1-9/9	0.55	0.75	591.4	286	305.4	141	115	140	14.2
SBK 1-10/10	0.55	0.75	609.4	304	305.4	141	115	140	14.4
SBK 1-11/11	0.55	0.75	627.4	322	305.4	141	115	140	14.6
SBK 1-12/12	0.75	1	685.4	340	345.4	141	115	140	16.5
SBK 1-13/13	0.75	1	703.4	358	345.4	141	115	140	16.7
SBK 1-15/15	0.75	1	739.4	394	345.4	141	115	140	17.1
SBK 1-17/17	1.1	1.5	775.4	430	345.4	141	115	140	18.7
SBK 1-19/19	1.1	1.5	811.4	466	345.4	141	115	140	19.2
SBK 1-21/21	1.1	1.5	847.4	502	345.4	141	115	140	19.6
SBK 1-22/22	1.1	1.5	865.4	520	345.4	141	115	140	19.9
SBK 1-23/23	1.1	1.5	883.4	538	345.4	141	115	140	20.1
SBK 1-25/25	1.5	2	975.4	574	401.4	177	141	140	27.8
SBK 1-26/26	1.5	2	993.4	592	401.4	177	141	140	28.0
SBK 1-27/27	1.5	2	1011.4	610	401.4	177	141	140	28.2
SBK 1-30/30	1.5	2	1065.4	664	401.4	177	141	140	28.9
SBK 1-33/33	2.2	3	1119.4	718	401.4	177	141	140	32.0
SBK 1-36/36	2.2	3	1173.4	772	401.4	177	141	140	32.7





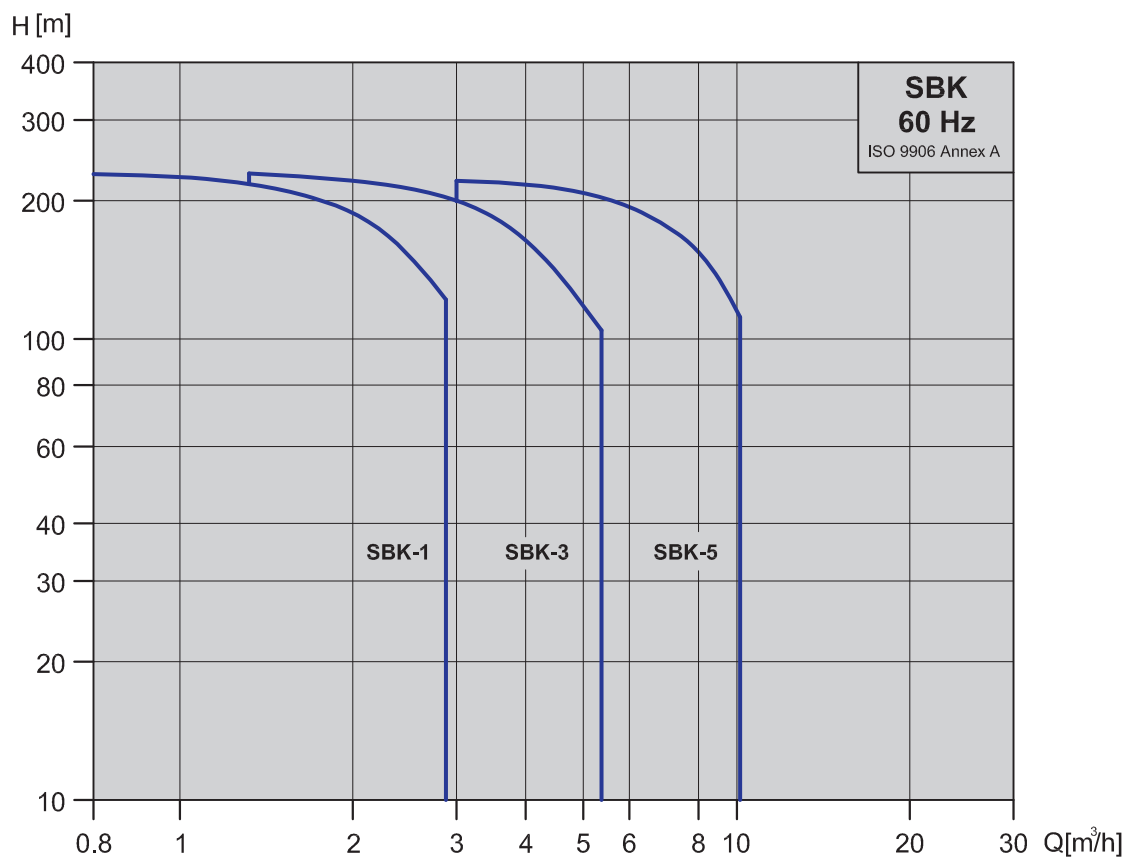
Pump Type	Motor P ₂		Dimension (mm)						Net Weight (kg)
	kW	HP	H1	H2	H3	D1	D2	D3	
SBK 3-2/2	0.37	0.5	465.4	160	305.4	141	115	140	12.1
SBK 3-3/3	0.37	0.5	483.4	178	305.4	141	115	140	12.3
SBK 3-4/4	0.37	0.5	501.4	196	305.4	141	115	140	12.5
SBK 3-5/5	0.37	0.5	519.4	214	305.4	141	115	140	12.7
SBK 3-6/6	0.55	0.75	537.4	232	305.4	141	115	140	13.5
SBK 3-7/7	0.55	0.75	555.4	250	305.4	141	115	140	13.7
SBK 3-8/8	0.75	1	613.4	268	345.4	141	115	140	15.5
SBK 3-9/9	0.75	1	631.4	286	345.4	141	115	140	15.8
SBK 3-10/10	0.75	1	649.4	304	345.4	141	115	140	16.0
SBK 3-11/11	0.75	1	667.4	322	345.4	141	115	140	16.2
SBK 3-12/12	1.1	1.5	685.4	340	345.4	141	115	140	17.6
SBK 3-13/13	1.1	1.5	703.4	358	345.4	141	115	140	17.8
SBK 3-15/15	1.1	1.5	739.4	394	345.4	141	115	140	18.3
SBK 3-17/17	1.5	2	831.4	430	401.4	177	141	140	25.9
SBK 3-19/19	1.5	2	867.4	466	401.4	177	141	140	26.4
SBK 3-21/21	2.2	3	903.4	502	401.4	177	141	140	29.3
SBK 3-22/22	2.2	3	921.4	520	401.4	177	141	140	29.5
SBK 3-23/23	2.2	3	939.4	538	401.4	177	141	140	29.7
SBK 3-25/25	2.2	3	975.4	574	401.4	177	141	140	30.2
SBK 3-26/26	2.2	3	993.4	592	401.4	177	141	140	30.4
SBK 3-27/27	2.2	3	1011.4	610	401.4	177	141	140	30.6
SBK 3-30/30	3	4	1095.9	664	431.9	197	147	160	36.5
SBK 3-33/33	3	4	1149.9	718	431.9	197	147	160	38.1
SBK 3-36/36	3	4	1203.9	772	431.9	197	147	160	38.8

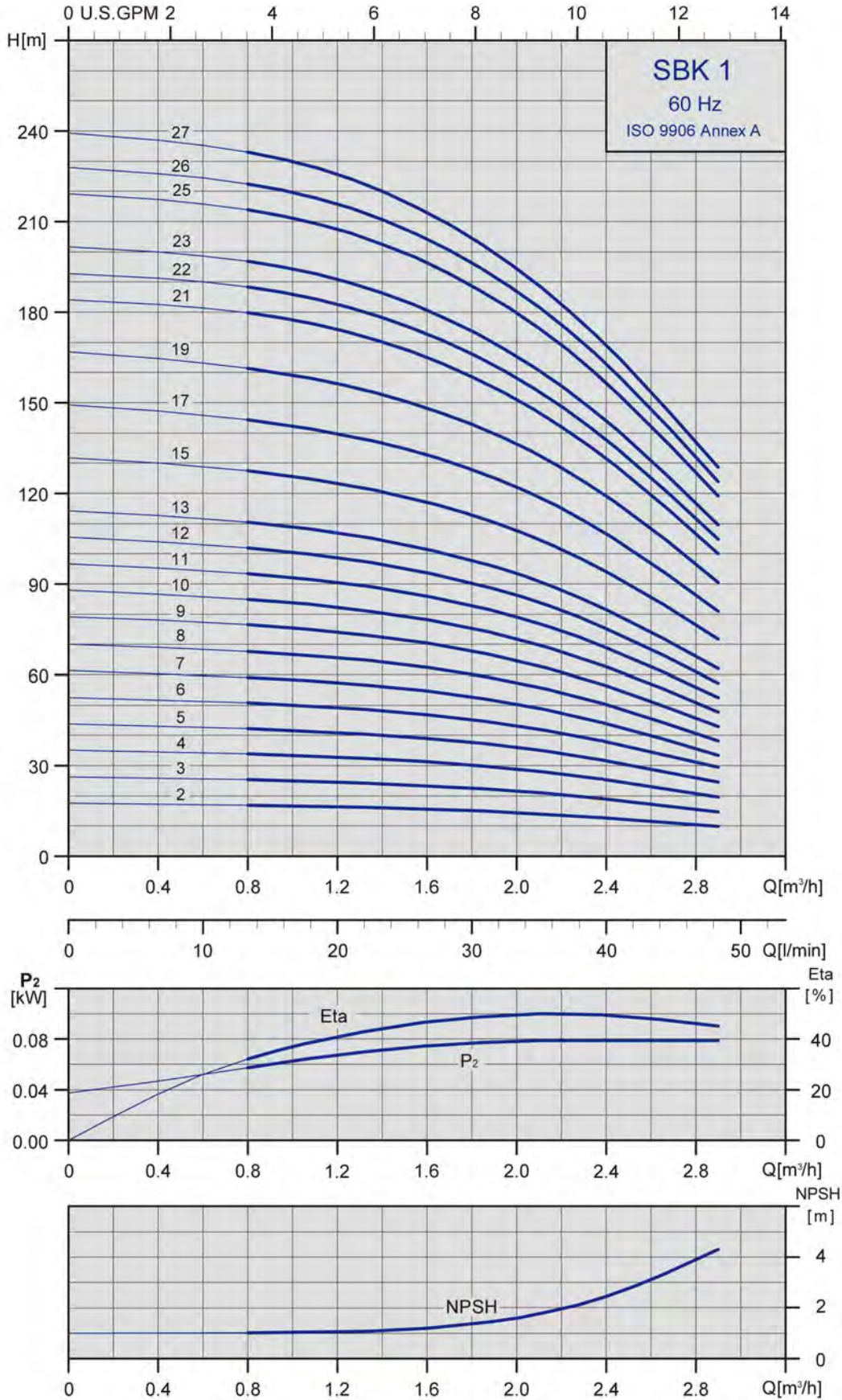


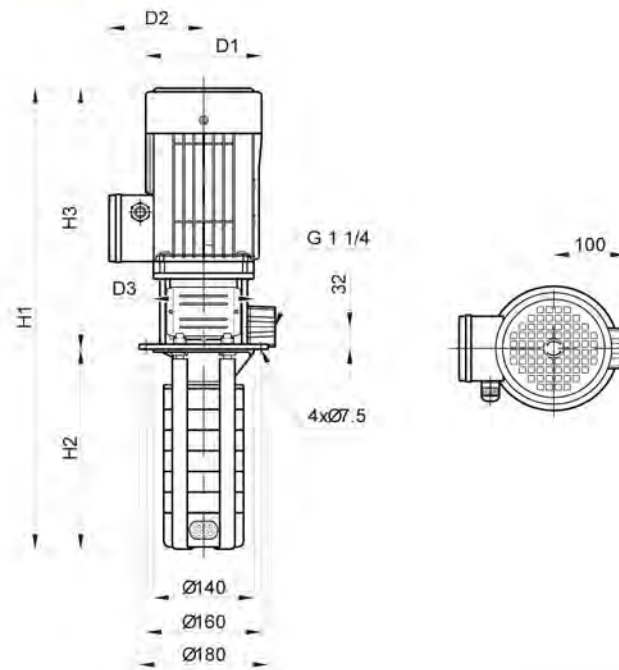


Pump Type	Motor P ₂		Dimension (mm)						Net Weight (kg)
	kW	HP	H1	H2	H3	D1	D2	D3	
SBK 5-2/2	0.37	0.5	474.4	169	305.4	141	115	140	12.2
SBK 5-3/3	0.55	0.75	501.4	196	305.4	141	115	140	13.1
SBK 5-4/4	0.55	0.75	528.4	223	305.4	141	115	140	13.4
SBK 5-5/5	0.75	1	595.4	250	345.4	141	115	140	15.4
SBK 5-6/6	1.1	1.5	622.4	277	345.4	141	115	140	16.9
SBK 5-7/7	1.1	1.5	649.4	304	345.4	141	115	140	17.3
SBK 5-8/8	1.1	1.5	676.4	331	345.4	141	115	140	17.6
SBK 5-9/9	1.5	2	759.4	358	401.4	177	141	140	25.8
SBK 5-10/10	1.5	2	786.4	385	401.4	177	141	140	26.1
SBK 5-12/12	2.2	3	840.4	439	401.4	177	141	140	28.9
SBK 5-14/14	2.2	3	894.4	493	401.4	177	141	140	29.3
SBK 5-16/16	2.2	3	948.4	547	401.4	177	141	140	29.6
SBK 5-17/17	3	4	1005.9	574	431.9	197	147	160	37.0
SBK 5-18/18	3	4	1032.9	601	431.9	197	147	160	37.4
SBK 5-19/19	3	4	1059.9	628	431.9	197	147	160	37.7
SBK 5-20/20	3	4	1086.9	655	431.9	197	147	160	38.1
SBK 5-21/21	3	4	1113.9	682	431.9	197	147	160	38.5
SBK 5-22/22	4	5.5	1150.9	709	441.9	220	161	160	45.3
SBK 5-24/24	4	5.5	1204.9	763	441.9	220	161	160	46.1
SBK 5-26/26	4	5.5	1258.9	817	441.9	220	161	160	46.8
SBK 5-29/29	4	5.5	1339.9	898	441.9	220	161	160	47.9
SBK 5-32/32	5.5	7.5	1485.9	979	506.9	235	197	300	70.3

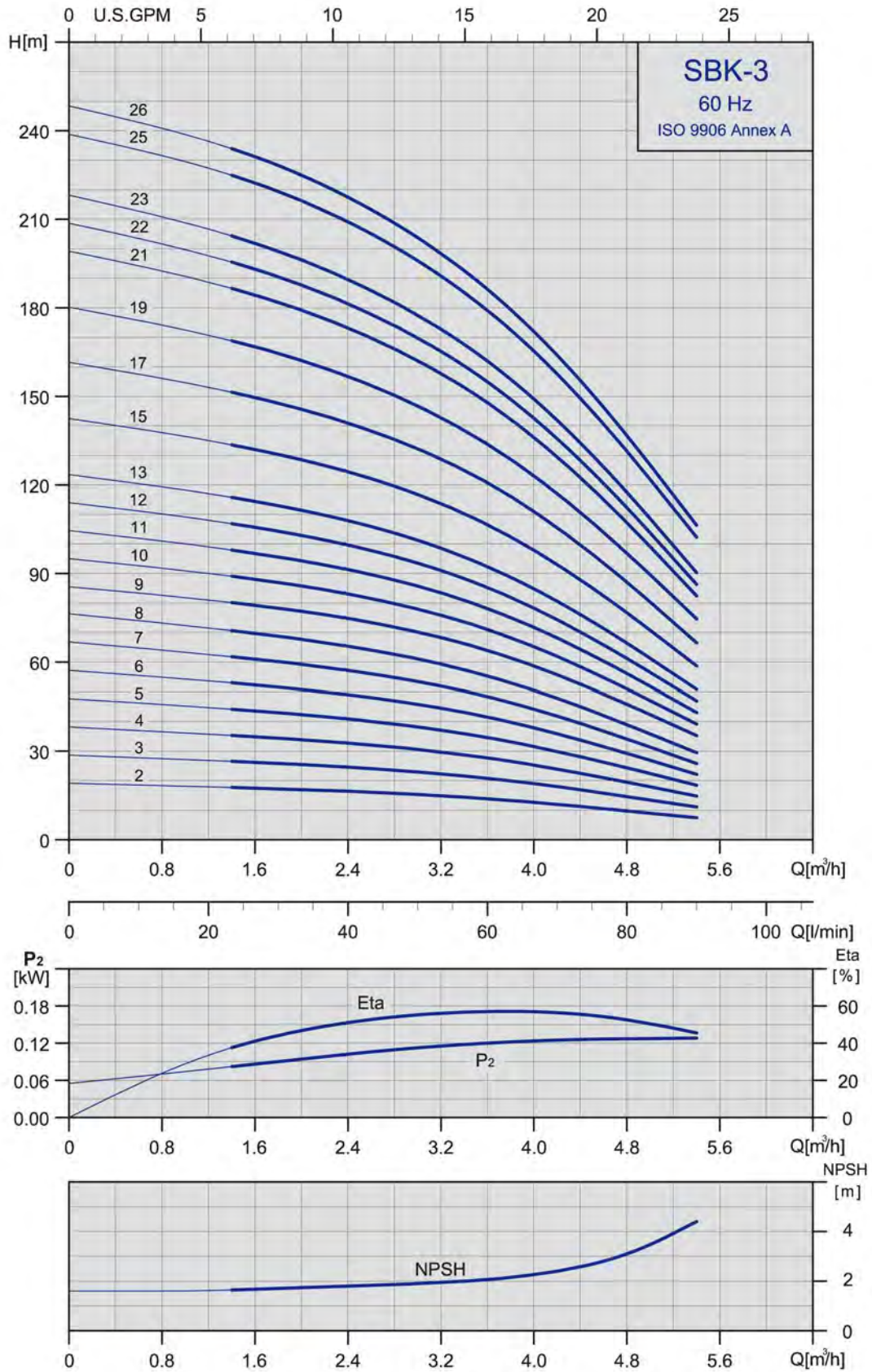
SBK 1,3,5

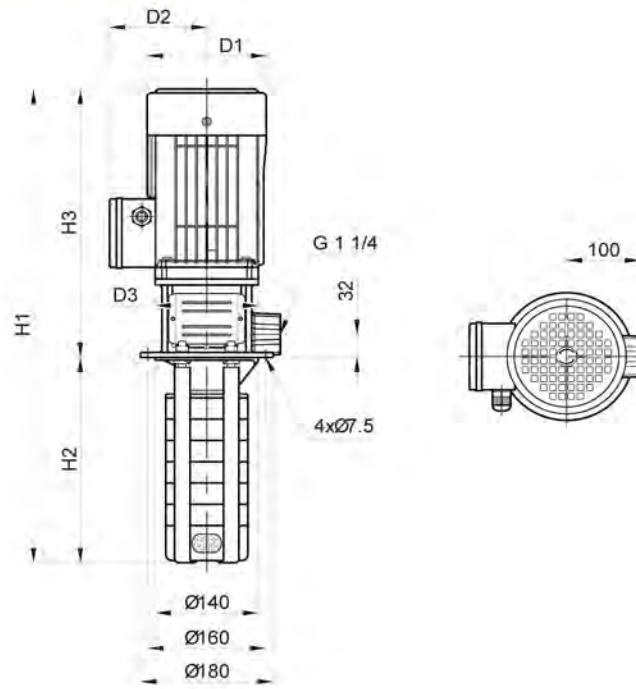




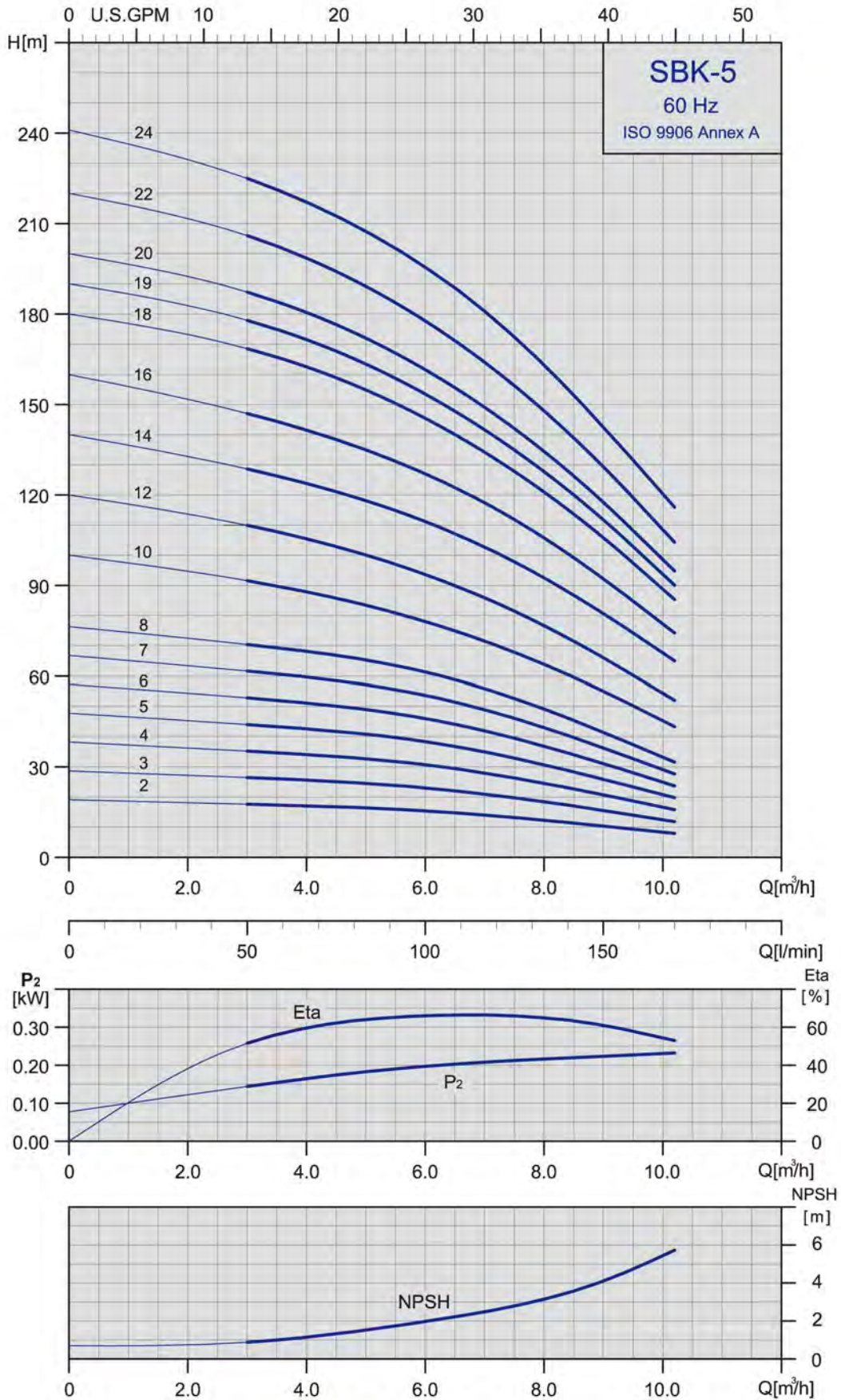


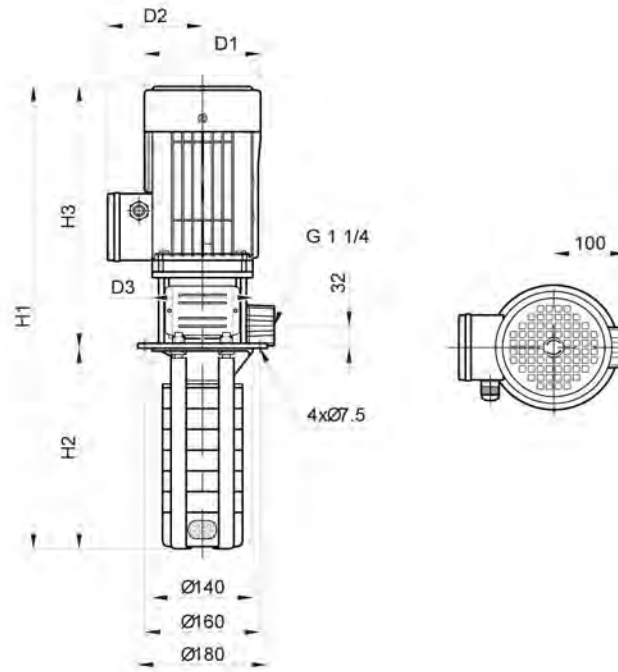
Pump Type	Motor P ₂		Dimension (mm)						Net Weight (kg)
	kW	HP	H1	H2	H3	D1	D2	D3	
SBK 1-2/2	0.37	0.5	465.4	160	305.4	141	115	140	12.1
SBK 1-3/3	0.37	0.5	483.4	178	305.4	141	115	140	12.3
SBK 1-4/4	0.37	0.5	501.4	196	305.4	141	115	140	12.5
SBK 1-5/5	0.55	0.75	519.4	214	305.4	141	115	140	13.2
SBK 1-6/6	0.55	0.75	537.4	232	305.4	141	115	140	13.5
SBK 1-7/7	0.75	1	595.4	250	345.4	141	115	140	15.3
SBK 1-8/8	0.75	1	613.4	268	345.4	141	115	140	15.5
SBK 1-9/9	0.75	1	631.4	286	345.4	141	115	140	15.7
SBK 1-10/10	1.1	1.5	649.4	304	345.4	141	115	140	17.1
SBK 1-11/11	1.1	1.5	667.4	322	345.4	141	115	140	17.3
SBK 1-12/12	1.1	1.5	685.4	340	345.4	141	115	140	17.6
SBK 1-13/13	1.1	1.5	703.4	358	345.4	141	115	140	17.8
SBK 1-15/15	1.5	2	795.4	394	401.4	177	141	140	25.8
SBK 1-17/17	1.5	2	831.4	430	401.4	177	141	140	26.2
SBK 1-19/19	2.2	3	867.4	466	401.4	177	141	140	29.1
SBK 1-21/21	2.2	3	903.4	502	401.4	177	141	140	29.5
SBK 1-22/22	2.2	3	921.4	520	401.4	177	141	140	29.8
SBK 1-23/23	2.2	3	939.4	538	401.4	177	141	140	30.0
SBK 1-25/25	2.2	3	975.4	574	401.4	177	141	140	30.2
SBK 1-26/26	3	4	1023.9	592	431.9	197	147	160	35.6
SBK 1-27/27	3	4	1041.9	610	431.9	197	147	160	35.8





Pump Type	Motor P ₂		Dimension (mm)						Net Weight (kg)
	kW	HP	H1	H2	H3	D1	D2	D3	
SBK 3-2/2	0.37	0.5	465.4	160	305.4	141	115	140	12.1
SBK 3-3/3	0.55	0.75	483.4	178	305.4	141	115	140	12.8
SBK 3-4/4	0.55	0.75	501.4	196	305.4	141	115	140	13.0
SBK 3-5/5	0.75	1	559.4	214	345.4	141	115	140	14.8
SBK 3-6/6	1.1	1.5	577.4	232	345.4	141	115	140	16.1
SBK 3-7/7	1.1	1.5	595.4	250	345.4	141	115	140	16.4
SBK 3-8/8	1.1	1.5	613.4	268	345.4	141	115	140	16.6
SBK 3-9/9	1.5	2	687.4	286	401.4	177	141	140	24.4
SBK 3-10/10	1.5	2	705.4	304	401.4	177	141	140	24.7
SBK 3-11/11	1.5	2	723.4	322	401.4	177	141	140	24.9
SBK 3-12/12	2.2	3	741.4	340	401.4	177	141	140	27.5
SBK 3-13/13	2.2	3	759.4	358	401.4	177	141	140	27.8
SBK 3-15/15	2.2	3	795.4	394	401.4	177	141	140	28.2
SBK 3-17/17	2.2	3	831.4	430	401.4	177	141	140	28.3
SBK 3-19/19	3	4	897.9	466	431.9	197	147	160	34.6
SBK 3-21/21	3	4	933.9	502	431.9	197	147	160	35.0
SBK 3-22/22	3	4	951.9	520	431.9	197	147	160	35.3
SBK 3-23/23	3	4	969.9	538	431.9	197	147	160	35.5
SBK 3-25/25	4	5.5	1015.9	574	441.9	220	161	160	42.4
SBK 3-26/26	4	5.5	1033.9	592	441.9	220	161	160	42.7





Pump Type	Motor P ₂		Dimension (mm)						Net Weight (kg)
	kW	HP	H1	H2	H3	D1	D2	D3	
SBK 5-2/2	0.55	0.75	474.4	169	305.4	141	115	140	12.7
SBK 5-3/3	1.1	1.5	541.4	196	345.4	141	115	140	15.7
SBK 5-4/4	1.1	1.5	568.4	223	345.4	141	115	140	16.1
SBK 5-5/5	1.5	2	651.4	250	401.4	177	141	140	24.1
SBK 5-6/6	2.2	3	678.4	277	401.4	171	141	140	26.8
SBK 5-7/7	2.2	3	705.4	304	401.4	171	141	140	27.2
SBK 5-8/8	2.2	3	732.4	331	401.4	171	141	140	27.6
SBK 5-10/10	3	4	816.9	385	431.9	197	147	160	34.3
SBK 5-12/12	3	4	870.9	439	431.9	197	147	160	34.7
SBK 5-14/14	4	5.5	934.9	493	441.9	220	161	160	41.5
SBK 5-16/16	4	5.5	988.9	547	441.9	220	161	160	41.9
SBK 5-18/18	5.5	7.5	1107.9	601	506.9	235	197	300	65.1
SBK 5-19/19	5.5	7.5	1134.9	628	506.9	235	197	300	65.5
SBK 5-20/20	5.5	7.5	1161.9	655	506.9	235	197	300	65.9
SBK 5-22/22	5.5	7.5	1215.9	709	506.9	235	197	300	66.6
SBK 5-24/24	7.5	10	1305.9	763	542.9	235	197	300	75.7

General Data

CBK

Feature

Compact design / High Efficiency
Reliability / Easy installation /
Wide Range

Application

Machine centers / Grinding machines /
Lathes / Swarf conveyors /
Filtering systems / Cooling units /
Industrial washing machines



CBK pumps are vertical multistage centrifugal pumps especially designed for pumping of cooling lubricants for machine tools , and to be mounted on top of tanks with the pump stack immersed in the pumped liquid. STAIRS CBK pumps are available with various pump sizes and various numbers of stages to provide the flow, the pressure and the length required.

CBK 50 Hz Product Data

Range	2	4
Frequency	50Hz	50Hz
Rated flow rate (m ³ /h)	2.5	4
Flow range (m ³ /h)	1~3.5	1~8
Maximum head (bar)	10	5
Motor power P1 (W)	260~1520	370~1530
Temperature range (°C)	-10 to +90	

Pipe connection

Union Rp 3/4

CBK 60 Hz Product Data

Range	2	4
Frequency	60Hz	60Hz
Rated flow rate (m ³ /h)	3	4.8
Flow range (m ³ /h)	1~4	1~8
Maximum head (bar)	10	5
Motor power P1(W)	340~1820	520~1950
Temperature range (°C)	-10 to +90	

Pipe connection

Union Rp 3/4

Mechanical Seals

Made of Silicon carbide/ Silicon carbide EPDM or Viton. Based on the type of application, alternative materials are available for the seal and the elastomers.

List of materials

Q:Silicon carbide V:Viton E:EPDM

U:Tungsten carbide

Type of Seal

HQQV	Standard
HQQE	Optional
HUUUV	Optional
HUUE	Optional

Motor Data

CBK is fitted with totally enclosed fan-cooled,2-pole standard motor.

Enclosure class : IP 55

Insulation class : F

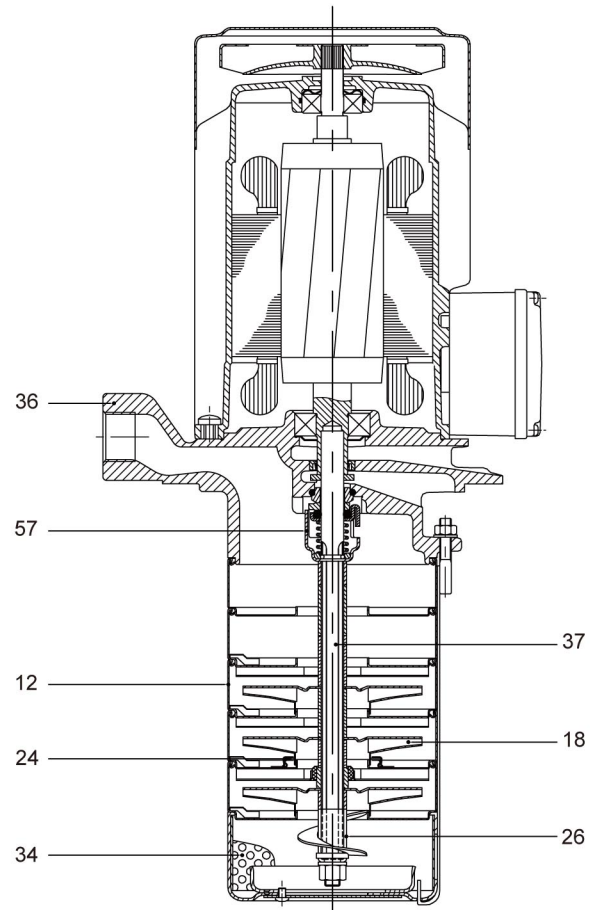
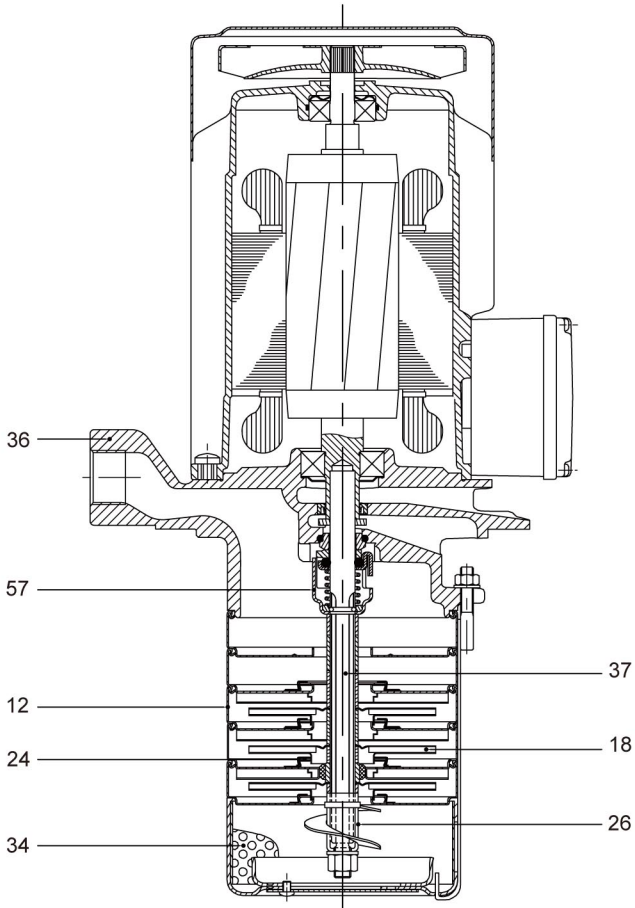
Ambient temperature : Max. + 50°C

Supply voltage 50 Hz: 3X220-240/380-415V

Supply voltage 60 Hz: 3X220-255/380-440V

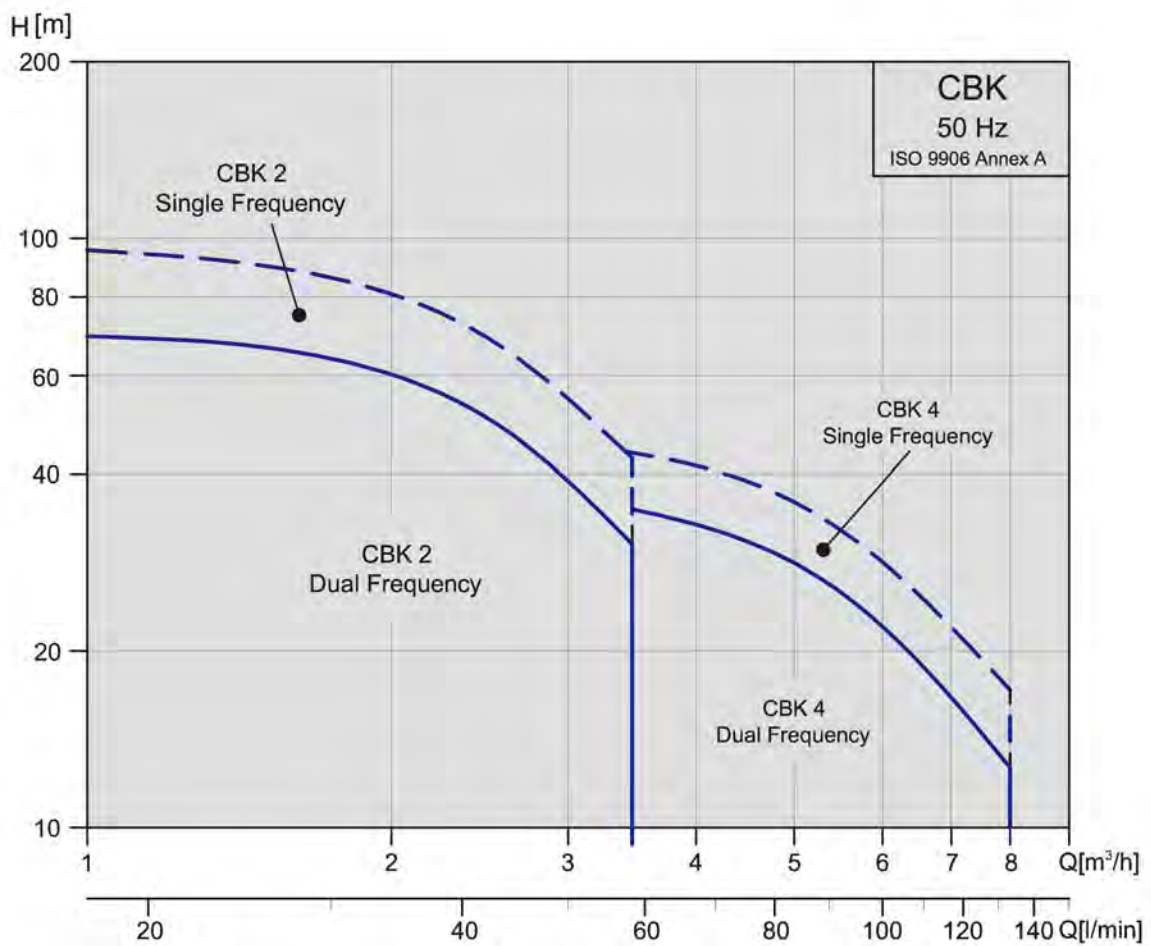
CBK 2

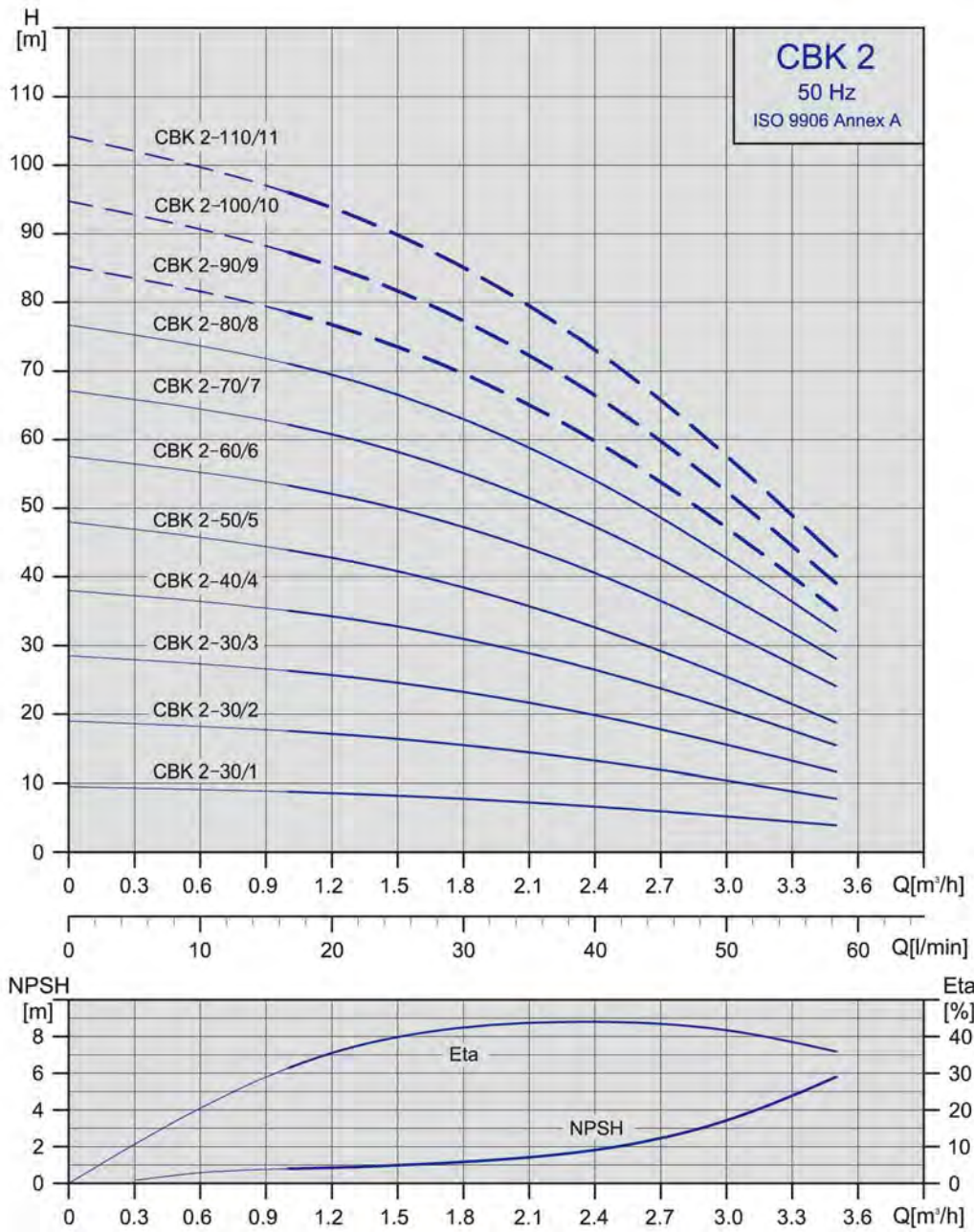
CBK 4



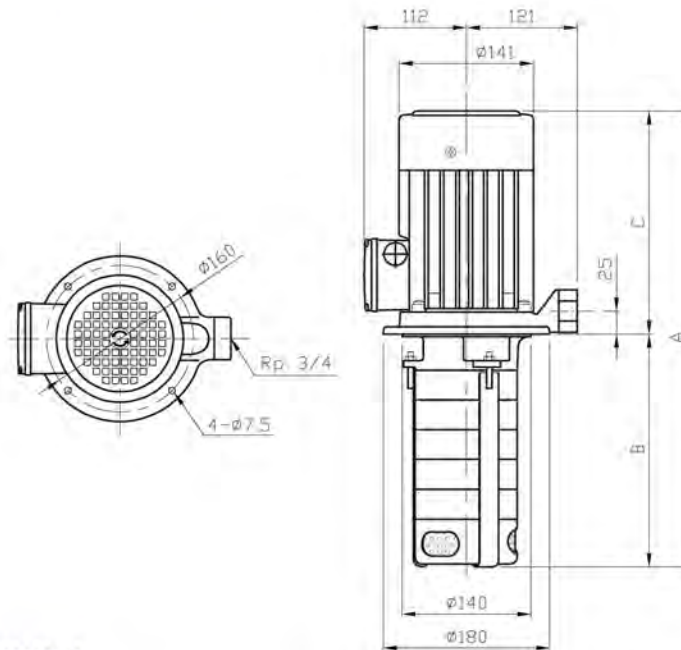
Pos.	Name	Material	Europe	AISI/ASTM
12	Chamber complete	Stainless steel	1.4301	AISI 304
18	Impeller	Stainless steel	1.4301	AISI 304
24	Neck ring	PTFE		
26	Priming screw	Stainless steel	1 4301	AISI 304
34	Strainer (internal)	Stainless steel	1.4301	AISI 304
36	Pump head	Cast Iron EN-GJL-200	0.6020	ASTM25B
37	Pump shaft	Stainless steel	1.4057	AISI 431
57	Shaft seal	HQQV/HQQE HUUV/HUUE		

CBK 2,4



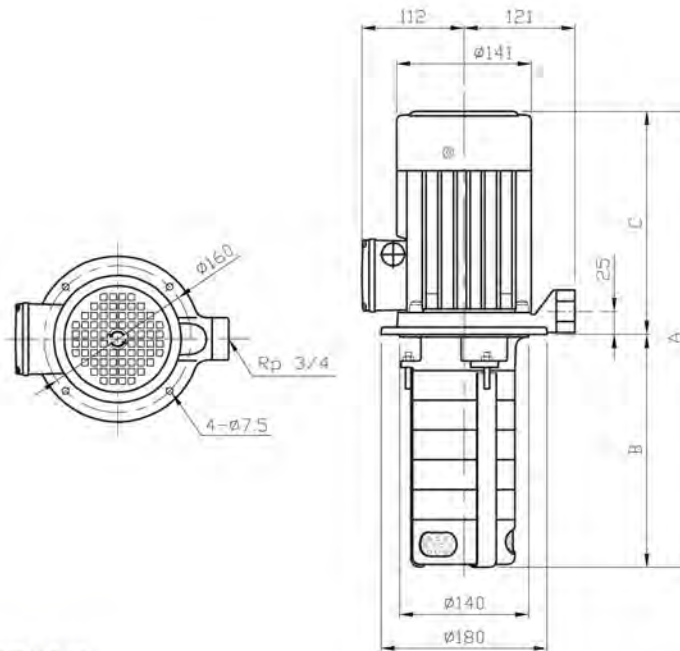


* --- Single Frequency
— Dual Frequency



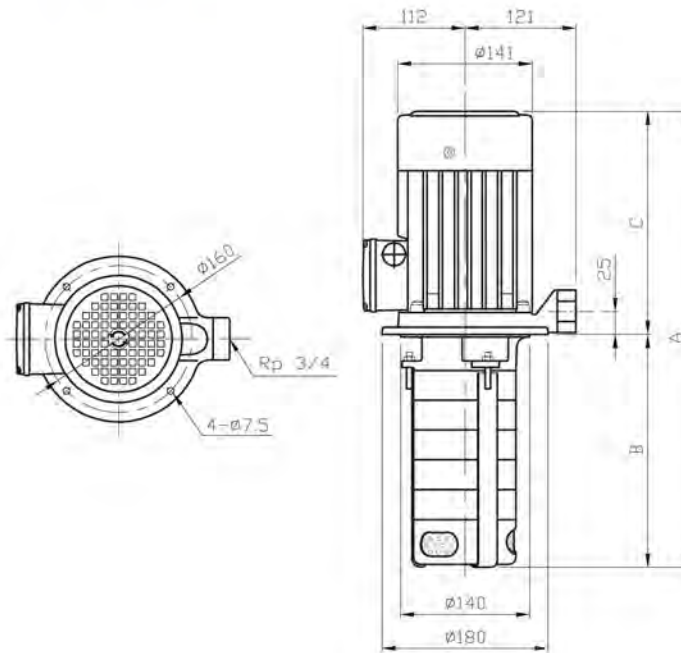
Dual Frequency

Pump Type	3X220-240/380-415V		Dimension (mm)			Net Weight (kg)
	P ₁ [W]	I _n [A]	A	B	C	
CBK 2-30/1	260	1.6-1.9 / 0.9-1.1	346	142	204	11.7
CBK 2-30/2	380	1.7-2.1 / 1.0-1.2	346	142	204	11.8
CBK 2-30/3	590	2.4-3.1 / 1.4-1.8	346	142	204	11.9
CBK 2-40/1	260	1.6-1.9 / 0.9-1.1	364	160	204	11.8
CBK 2-40/2	380	1.7-2.1 / 1.0-1.2	364	160	204	11.9
CBK 2-40/3	590	2.4-3.1 / 1.4-1.8	364	160	204	12.1
CBK 2-40/4	630	2.6-3.3 / 1.5-1.9	364	160	204	12.1
CBK 2-50/1	260	1.6-1.9 / 0.9-1.1	382	178	204	12.0
CBK 2-50/2	380	1.7-2.1 / 1.0-1.2	382	178	204	12.1
CBK 2-50/3	590	2.4-3.1 / 1.4-1.8	382	178	204	12.3
CBK 2-50/4	630	2.6-3.3 / 1.5-1.9	382	178	204	12.3
CBK 2-50/5	860	3.3-3.6 / 1.9-2.1	422	178	244	13.7
CBK 2-60/1	260	1.6-1.9 / 0.9-1.1	400	196	204	12.2
CBK 2-60/2	380	1.7-2.1 / 1.0-1.2	400	196	204	12.2
CBK 2-60/3	590	2.4-3.1 / 1.4-1.8	400	196	204	12.5
CBK 2-60/4	630	2.6-3.3 / 1.5-1.9	400	196	204	12.5
CBK 2-60/5	860	3.3-3.6 / 1.9-2.1	440	196	244	14.0
CBK 2-60/6	910	3.5-3.8 / 2.0-2.2	440	196	244	14.0
CBK 2-70/1	260	1.6-1.9 / 0.9-1.1	418	214	204	12.4
CBK 2-70/2	380	1.7-2.1 / 1.0-1.2	418	214	204	12.4
CBK 2-70/3	590	2.4-3.1 / 1.4-1.8	418	214	204	12.6
CBK 2-70/4	630	2.6-3.3 / 1.5-1.9	418	214	204	12.7
CBK 2-70/5	860	3.3-3.6 / 1.9-2.1	458	214	244	14.2
CBK 2-70/6	910	3.5-3.8 / 2.0-2.2	458	214	244	14.3
CBK 2-70/7	1040	4.3-5.0 / 2.5-2.9	458	214	244	15.4



Dual Frequency

Pump Type	3X220-240/380-415V		Dimension (mm)			Net Weight (kg)
	P ₁ [W]	I _N [A]	A	B	C	
CBK 2-80/1	260	1.6-1.9 / 0.9-1.1	436	232	204	12.4
CBK 2-80/2	380	1.7-2.1 / 1.0-1.2	436	232	204	12.6
CBK 2-80/3	590	2.4-3.1 / 1.4-1.8	436	232	204	12.8
CBK 2-80/4	630	2.6-3.3 / 1.5-1.9	436	232	204	13.0
CBK 2-80/5	860	3.3-3.6 / 1.9-2.1	476	232	244	14.4
CBK 2-80/6	910	3.5-3.8 / 2.0-2.2	476	232	244	14.5
CBK 2-80/7	1040	4.3-5.0 / 2.5-2.9	476	232	244	15.7
CBK 2-80/8	1230	4.7-5.4 / 2.7-3.1	476	232	244	15.7
CBK 2-90/1	260	1.6-1.9 / 0.9-1.1	454	250	204	12.7
CBK 2-90/2	380	1.7-2.1 / 1.0-1.2	454	250	204	12.8
CBK 2-90/3	590	2.4-3.1 / 1.4-1.8	454	250	204	13.0
CBK 2-90/4	630	2.6-3.3 / 1.5-1.9	454	250	204	13.0
CBK 2-90/5	860	3.3-3.6 / 1.9-2.1	494	250	244	14.5
CBK 2-90/6	910	3.5-3.8 / 2.0-2.2	494	250	244	14.8
CBK 2-90/7	1040	4.3-5.0 / 2.5-2.9	494	250	244	15.9
CBK 2-90/8	1230	4.7-5.4 / 2.7-3.1	494	250	244	16.0
CBK 2-100/1	260	1.6-1.9 / 0.9-1.1	472	268	204	12.9
CBK 2-100/2	380	1.7-2.1 / 1.0-1.2	472	268	204	13.0
CBK 2-100/3	590	2.4-3.1 / 1.4-1.8	472	268	204	13.2
CBK 2-100/4	630	2.6-3.3 / 1.5-1.9	472	268	204	13.4
CBK 2-100/5	860	3.3-3.6 / 1.9-2.1	512	268	244	14.8
CBK 2-100/6	910	3.5-3.8 / 2.0-2.2	512	268	244	14.8
CBK 2-100/7	1040	4.3-5.0 / 2.5-2.9	512	268	244	16.1
CBK 2-100/8	1230	4.7-5.4 / 2.7-3.1	512	268	244	16.1

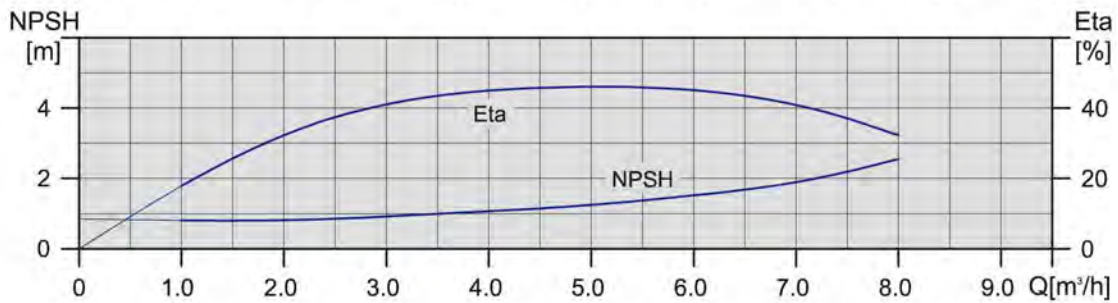
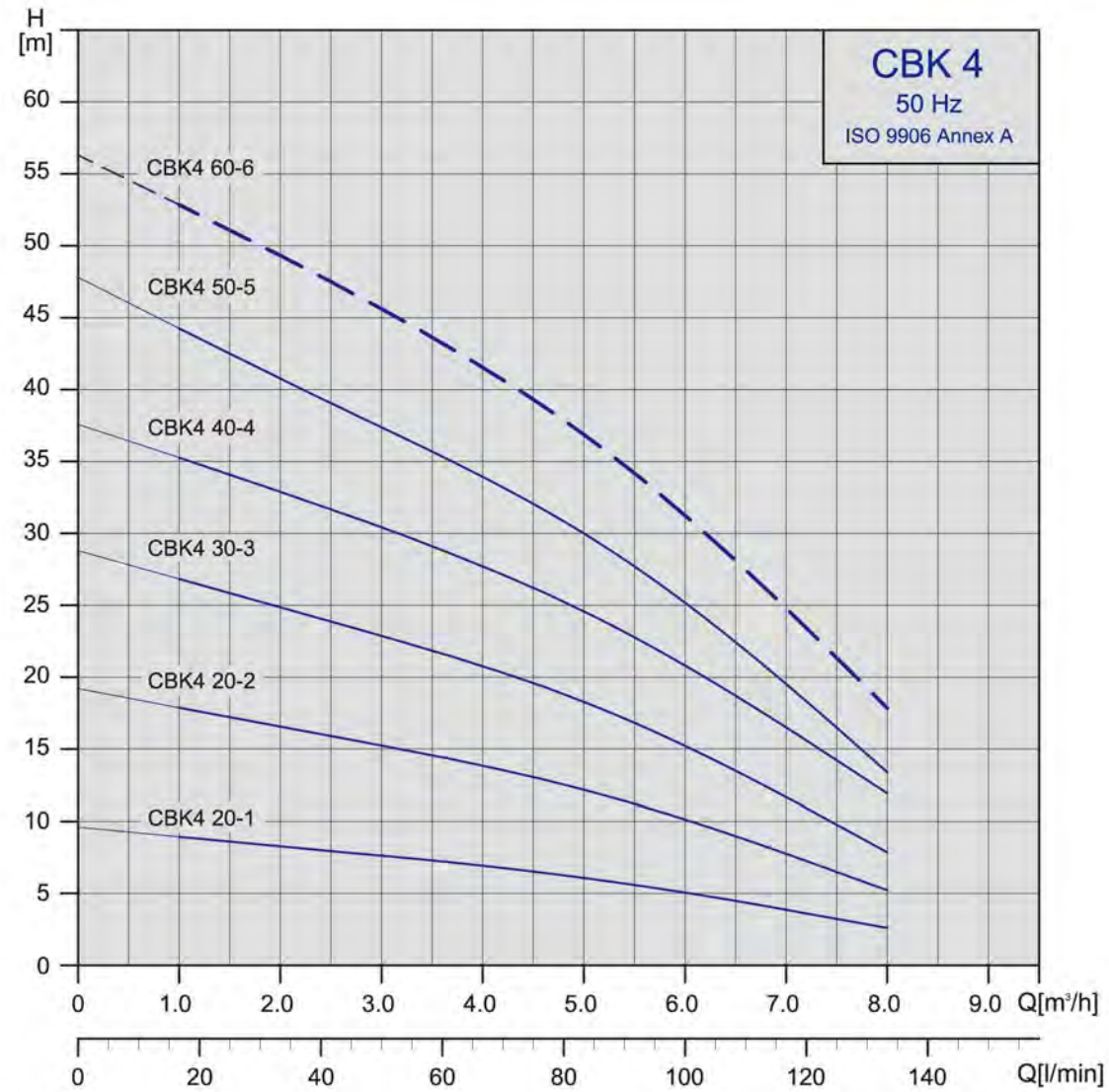


Dual Frequency

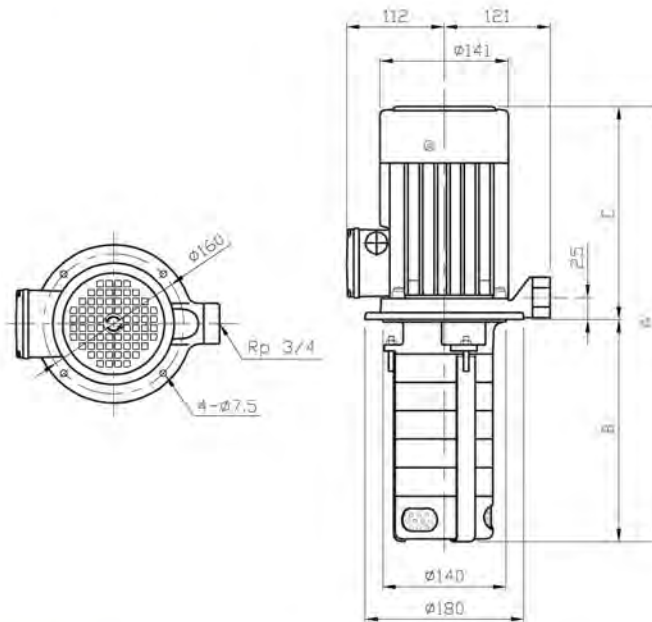
Pump Type	3X220-240/380-415V		Dimension (mm)			Net Weight (kg)
	P ₁ [W]	I _n [A]	A	B	C	
CBK 2-110/1	260	1.6-1.9 / 0.9-1.1	490	286	204	13.0
CBK 2-110/2	380	1.7-2.1 / 1.0-1.2	490	286	204	13.2
CBK 2-110/3	590	2.4-3.1 / 1.4-1.8	490	286	204	13.4
CBK 2-110/4	630	2.6-3.3 / 1.5-1.9	490	286	204	13.5
CBK 2-110/5	860	3.3-3.6 / 1.9-2.1	530	286	244	14.8
CBK 2-110/6	910	3.5-3.8 / 2.0-2.2	530	286	244	15.0
CBK 2-110/7	1040	4.3-5.0 / 2.5-2.9	530	286	244	16.3
CBK 2-110/8	1230	4.7-5.4 / 2.7-3.1	530	286	244	16.3

Single Frequency

Pump Type	3X220-240/380-415V		Dimension (mm)			Net Weight (kg)
	P ₁ [W]	I _n [A]	A	B	C	
CBK 2-90/9	1210	4.1-4.6 / 2.4-2.7	494	250	244	14.8
CBK 2-100/9	1210	4.1-4.6 / 2.4-2.7	512	268	244	15.0
CBK 2-100/10	1390	4.9-5.7 / 2.8-3.3	512	268	244	16.3
CBK 2-110/9	1210	4.1-4.6 / 2.4-2.7	530	286	244	15.2
CBK 2-110/10	1390	4.9-5.7 / 2.8-3.3	530	286	244	16.6
CBK 2-110/11	1520	5.4-6.0 / 3.1-3.5	530	286	244	16.7

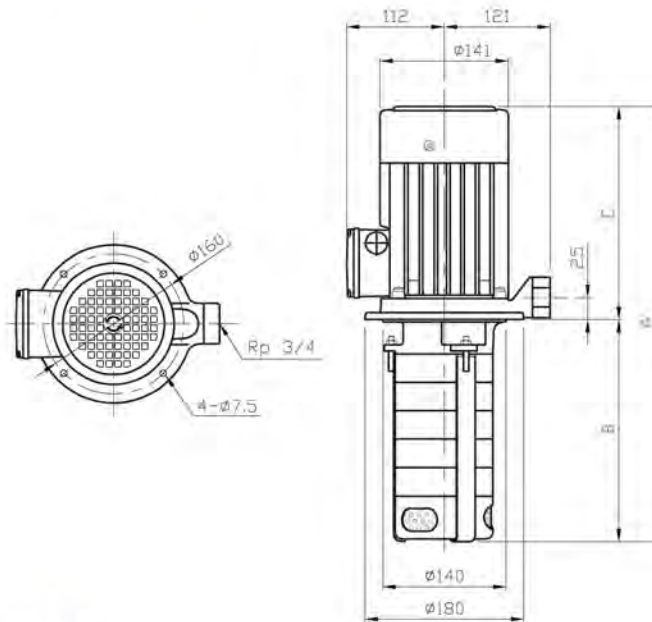


* Single Frequency
 Dual Frequency



Dual Frequency

Pump Type	3X220-240/380-415V		Dimension (mm)			Net Weight (kg)
	P ₁ [W]	I _n [A]	A	B	C	
CBK 4-20/1	370	1.7-1.9 / 1.0-1.1	346	142	204	11.5
CBK 4-20/2	630	2.6-3.1 / 1.5-1.8	346	142	204	11.6
CBK 4-30/1	370	1.7-1.9 / 1.0-1.1	373	169	204	11.7
CBK 4-30/2	630	2.6-3.1 / 1.5-1.8	373	169	204	11.9
CBK 4-30/3	820	3.1-3.6 / 1.8-2.1	413	169	244	13.4
CBK 4-40/1	370	1.7-1.9 / 1.0-1.1	400	196	204	12.0
CBK 4-40/2	630	2.6-3.1 / 1.5-1.8	400	196	204	12.1
CBK 4-40/3	820	3.1-3.6 / 1.8-2.1	440	196	244	13.7
CBK 4-40/4	1090	4.3-5.0 / 2.5-2.9	440	196	244	14.9
CBK 4-50/1	370	1.7-1.9 / 1.0-1.1	427	223	204	12.1
CBK 4-50/2	630	2.6-3.1 / 1.5-1.8	427	223	204	12.3
CBK 4-50/3	820	3.1-3.6 / 1.8-2.1	467	223	244	14.0
CBK 4-50/4	1090	4.3-5.0 / 2.5-2.9	467	223	244	15.1
CBK 4-50/5	1300	4.6-5.3 / 2.7-3.1	467	223	244	15.2
CBK 4-60/1	370	1.7-1.9 / 1.0-1.1	454	250	204	12.4
CBK 4-60/2	630	2.6-3.1 / 1.5-1.8	454	250	204	12.5
CBK 4-60/3	820	3.1-3.6 / 1.8-2.1	494	250	244	14.1
CBK 4-60/4	1090	4.3-5.0 / 2.5-2.9	494	250	244	15.3
CBK 4-60/5	1300	4.6-5.3 / 2.7-3.1	494	250	244	15.5



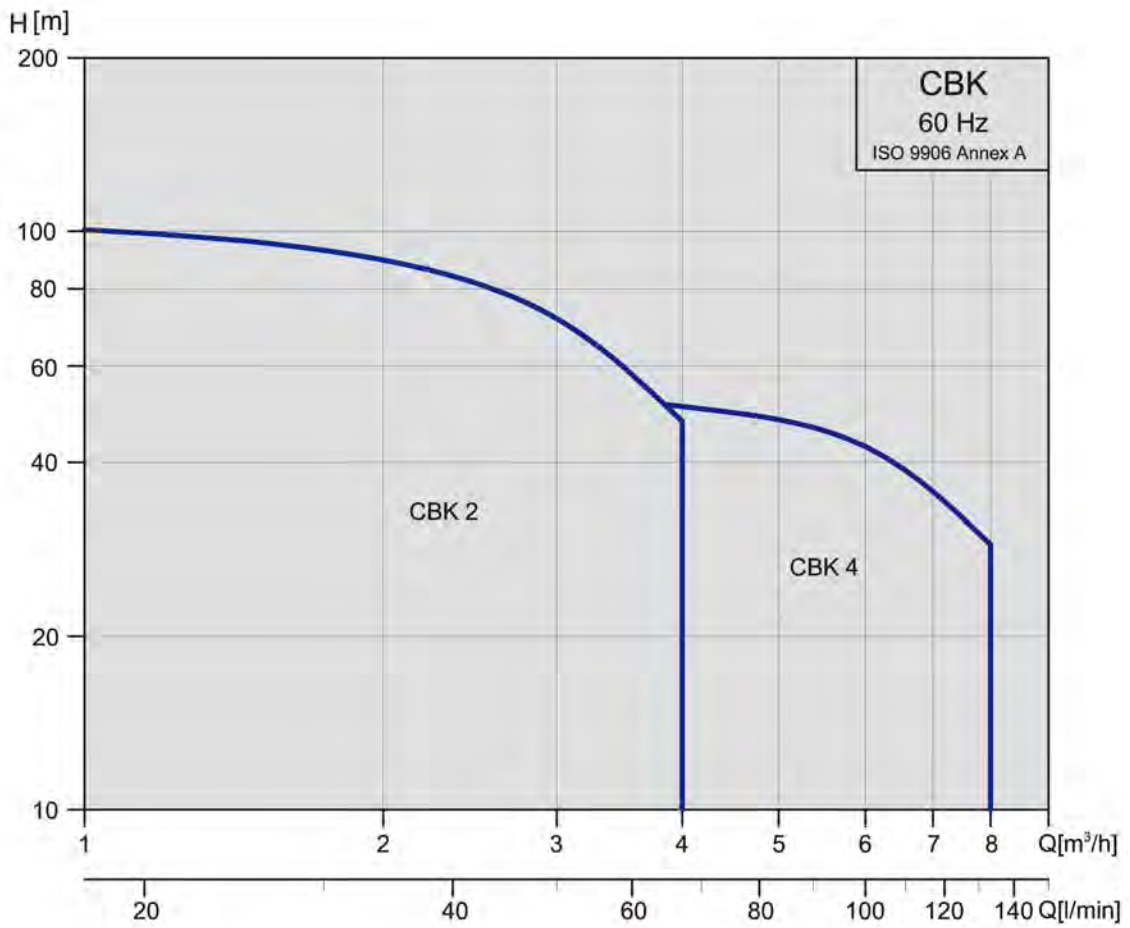
Dual Frequency

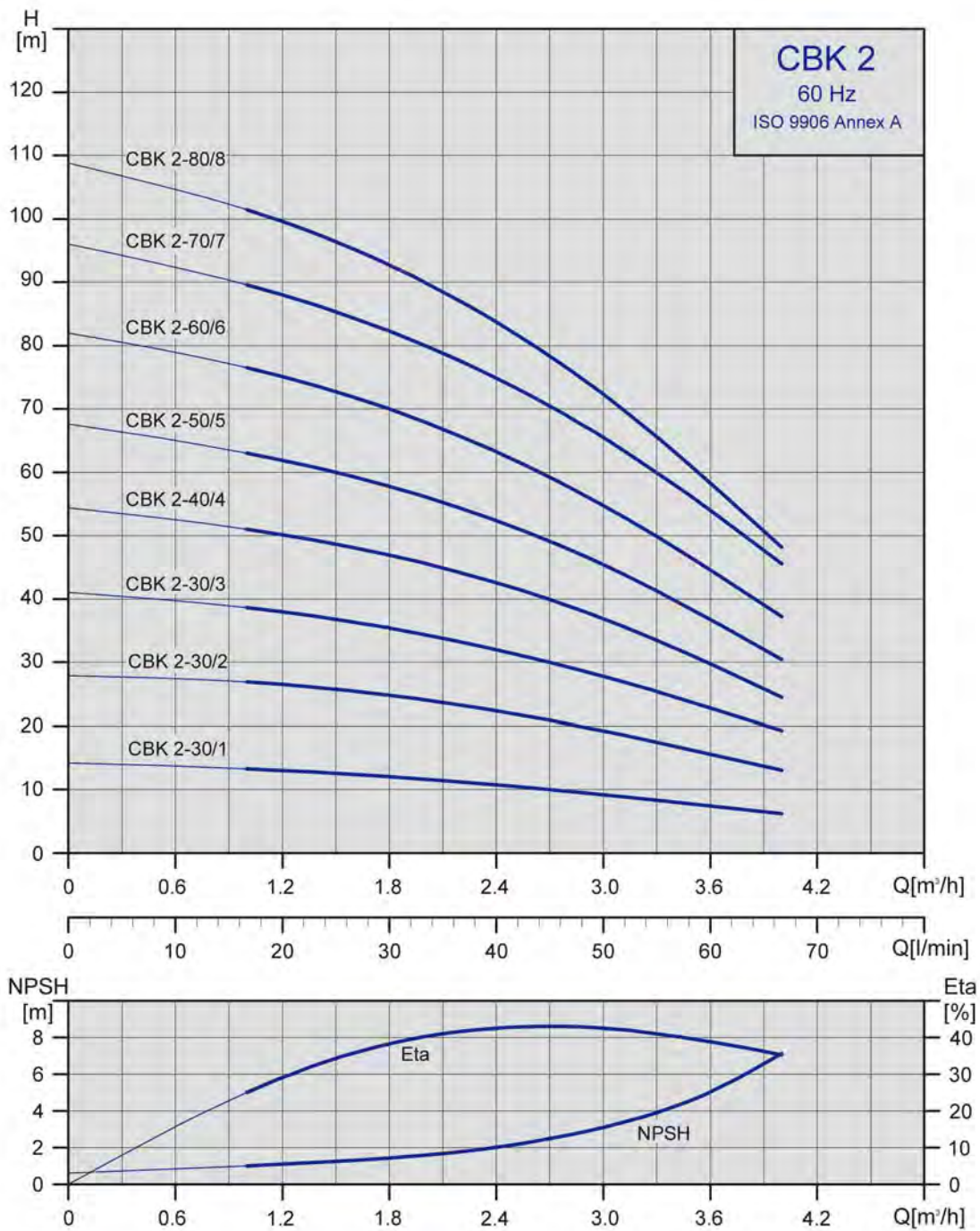
Pump Type	3X220-240/380-415V		Dimension (mm)			Net Weight (kg)
	P ₁ [W]	I _n [A]	A	B	C	
CBK 4-70/1	370	1.7-1.9 / 1.0-1.1	481	277	204	12.5
CBK 4-70/2	630	2.6-3.1 / 1.5-1.8	481	277	204	12.6
CBK 4-70/3	820	3.1-3.6 / 1.8-2.1	521	277	244	14.2
CBK 4-70/4	1090	4.3-5.0 / 2.5-2.9	521	277	244	15.5
CBK 4-70/5	1300	4.6-5.3 / 2.7-3.1	521	277	244	15.6
CBK 4-80/1	370	1.7-1.9 / 1.0-1.1	508	304	204	12.7
CBK 4-80/2	630	2.6-3.1 / 1.5-1.8	508	304	204	12.9
CBK 4-80/3	820	3.1-3.6 / 1.8-2.1	548	304	244	14.5
CBK 4-80/4	1090	4.3-5.0 / 2.5-2.9	548	304	244	15.7
CBK 4-80/5	1300	4.6-5.3 / 2.7-3.1	548	304	244	15.9

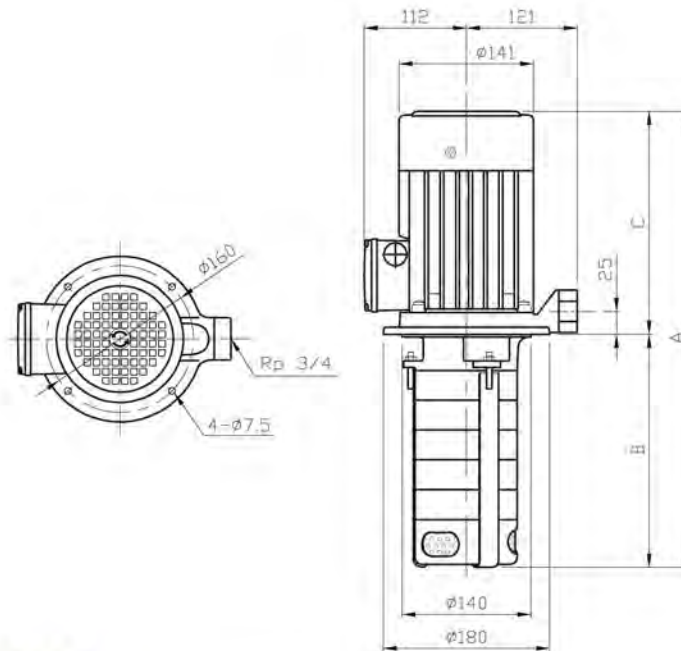
Single Frequency

Pump Type	3X220-240/380-415V		Dimension (mm)			Net Weight (kg)
	P ₁ [W]	I _n [A]	A	B	C	
CBK 4-60/6	1530	5.5-5.9 / 3.2-3.4	494	250	244	15.6
CBK 4-70/6	1530	5.5-5.9 / 3.2-3.4	521	277	244	15.8
CBK 4-80/6	1530	5.5-5.9 / 3.2-3.4	548	304	244	16.1

CBK 2,4

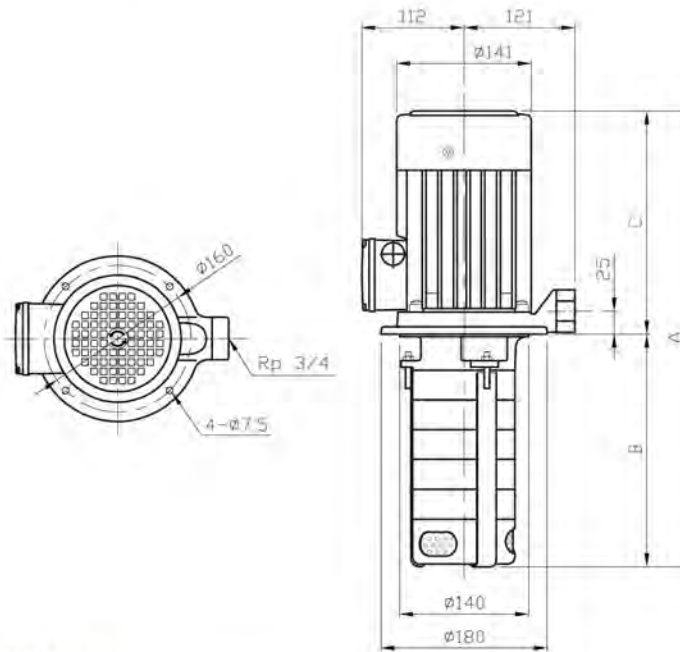






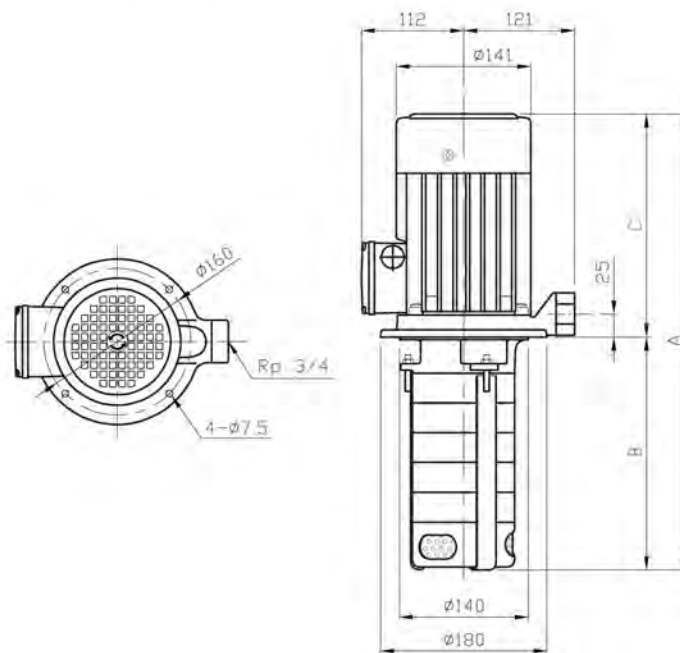
Dual Frequency

Pump Type	3X220-255/380-440V		Dimension (mm)			Net Weight (kg)
	P _I [W]	I _N [A]	A	B	C	
CBK 2-30/1	340	1.4-1.6 / 0.8-0.9	346	142	204	11.7
CBK 2-30/2	530	1.9-2.1 / 1.1-1.2	346	142	204	11.8
CBK 2-30/3	750	2.4-2.6 / 1.4-1.5	346	142	204	11.9
CBK 2-40/1	340	1.4-1.6 / 0.8-0.9	364	160	204	11.8
CBK 2-40/2	530	1.9-2.1 / 1.1-1.2	364	160	204	11.9
CBK 2-40/3	750	2.4-2.6 / 1.4-1.5	364	160	204	12.1
CBK 2-40/4	950	2.9-3.1 / 1.7-1.8	364	160	204	12.1
CBK 2-50/1	340	1.4-1.6 / 0.8-0.9	382	178	204	12.0
CBK 2-50/2	530	1.9-2.1 / 1.1-1.2	382	178	204	12.1
CBK 2-50/3	750	2.4-2.6 / 1.4-1.5	382	178	204	12.3
CBK 2-50/4	950	2.9-3.1 / 1.7-1.8	382	178	204	12.3
CBK 2-50/5	1280	3.8-4.0 / 2.2-2.3	422	178	244	13.7
CBK 2-60/1	340	1.4-1.6 / 0.8-0.9	400	196	204	12.2
CBK 2-60/2	530	1.9-2.1 / 1.1-1.2	400	196	204	12.2
CBK 2-60/3	750	2.4-2.6 / 1.4-1.5	400	196	204	12.5
CBK 2-60/4	950	2.9-3.1 / 1.7-1.8	400	196	204	12.5
CBK 2-60/5	1280	3.8-4.0 / 2.2-2.3	440	196	244	14.0
CBK 2-60/6	1340	4.0-4.2 / 2.3-2.4	440	196	244	14.0
CBK 2-70/1	340	1.4-1.6 / 0.8-0.9	418	214	204	12.4
CBK 2-70/2	530	1.9-2.1 / 1.1-1.2	418	214	204	12.4
CBK 2-70/3	750	2.4-2.6 / 1.4-1.5	418	214	204	12.6
CBK 2-70/4	950	2.9-3.1 / 1.7-1.8	418	214	204	12.7
CBK 2-70/5	1280	3.8-4.0 / 2.2-2.3	458	214	244	14.2
CBK 2-70/6	1340	4.0-4.2 / 2.3-2.4	458	214	244	14.3
CBK 2-70/7	1750	5.4-5.6 / 3.1-3.2	458	214	244	15.4



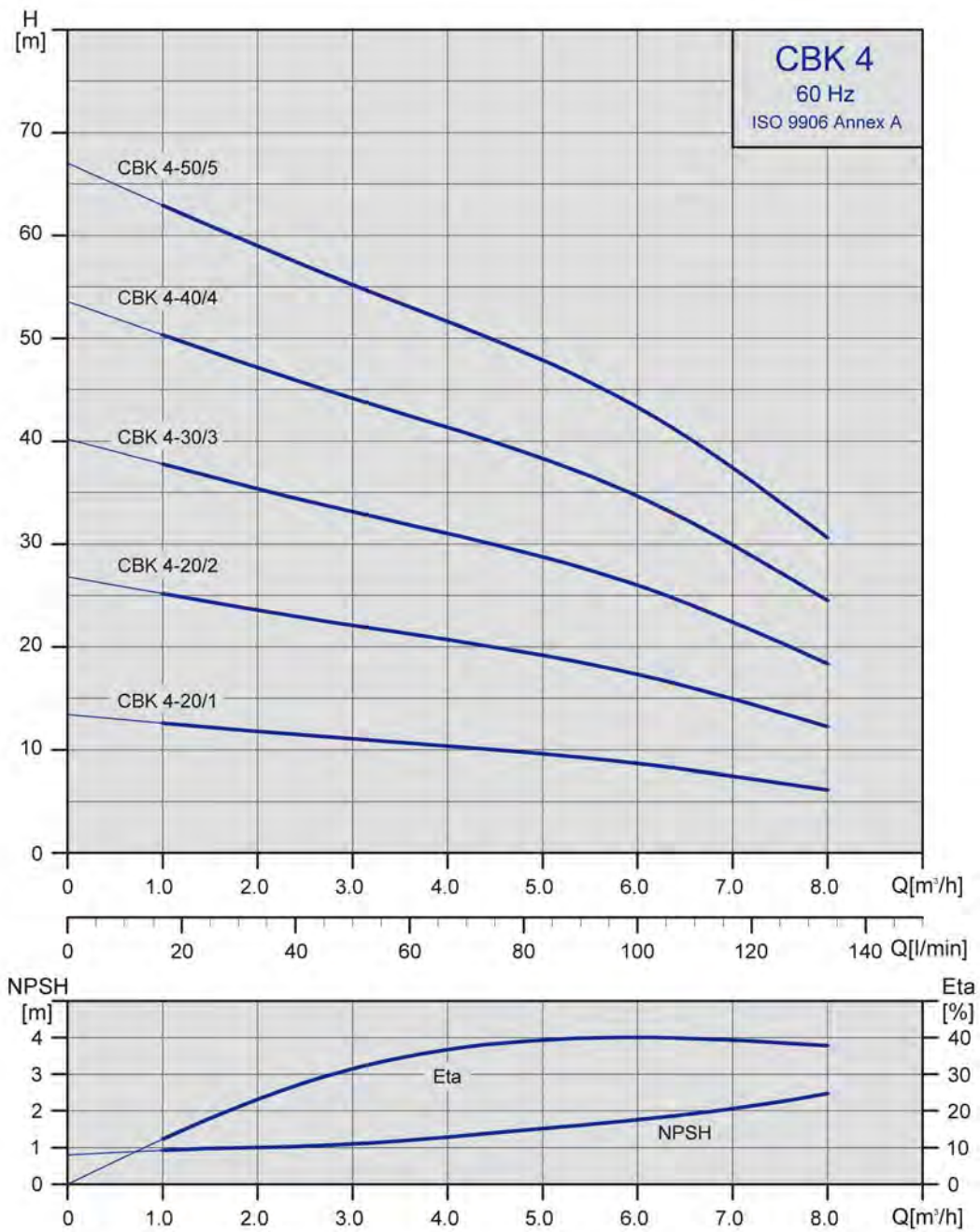
Dual Frequency

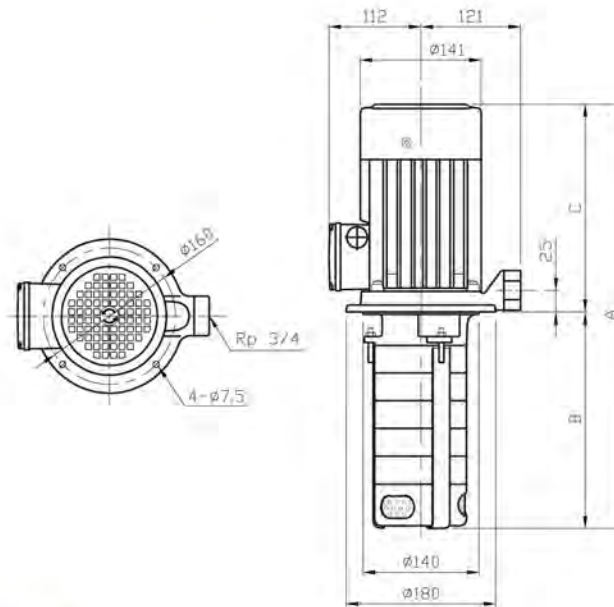
Pump Type	3X220-255/380-440V		Dimension (mm)			Net Weight (kg)
	P ₁ [W]	I _N [A]	A	B	C	
CBK 2-80/1	340	1.4-1.6 / 0.8-0.9	436	232	204	12.4
CBK 2-80/2	530	1.9-2.1 / 1.1-1.2	436	232	204	12.6
CBK 2-80/3	750	2.4-2.6 / 1.4-1.5	436	232	204	12.8
CBK 2-80/4	950	2.9-3.1 / 1.7-1.8	436	232	204	13.0
CBK 2-80/5	1280	3.8-4.0 / 2.2-2.3	476	232	244	14.4
CBK 2-80/6	1340	4.0-4.2 / 2.3-2.4	476	232	244	14.5
CBK 2-80/7	1750	5.4-5.6 / 3.1-3.2	476	232	244	15.7
CBK 2-80/8	1820	5.6-5.7 / 3.2-3.3	476	232	244	15.7
CBK 2-90/1	340	1.4-1.6 / 0.8-0.9	454	250	204	12.7
CBK 2-90/2	530	1.9-2.1 / 1.1-1.2	454	250	204	12.8
CBK 2-90/3	750	2.4-2.6 / 1.4-1.5	454	250	204	13.0
CBK 2-90/4	950	2.9-3.1 / 1.7-1.8	454	250	204	13.0
CBK 2-90/5	1280	3.8-4.0 / 2.2-2.3	494	250	244	14.5
CBK 2-90/6	1340	4.0-4.2 / 2.3-2.4	494	250	244	14.8
CBK 2-90/7	1750	5.4-5.6 / 3.1-3.2	494	250	244	15.9
CBK 2-90/8	1820	5.6-5.7 / 3.2-3.3	494	250	244	16.0
CBK 2-100/1	340	1.4-1.6 / 0.8-0.9	472	268	204	12.9
CBK 2-100/2	530	1.9-2.1 / 1.1-1.2	472	268	204	13.0
CBK 2-100/3	750	2.4-2.6 / 1.4-1.5	472	268	204	13.2
CBK 2-100/4	950	2.9-3.1 / 1.7-1.8	472	268	204	13.4
CBK 2-100/5	1280	3.8-4.0 / 2.2-2.3	512	268	244	14.8
CBK 2-100/6	1340	4.0-4.2 / 2.3-2.4	512	268	244	14.8
CBK 2-100/7	1750	5.4-5.6 / 3.1-3.2	512	268	244	16.1
CBK 2-100/8	1820	5.6-5.7 / 3.2-3.3	512	268	244	16.1



Dual Frequency

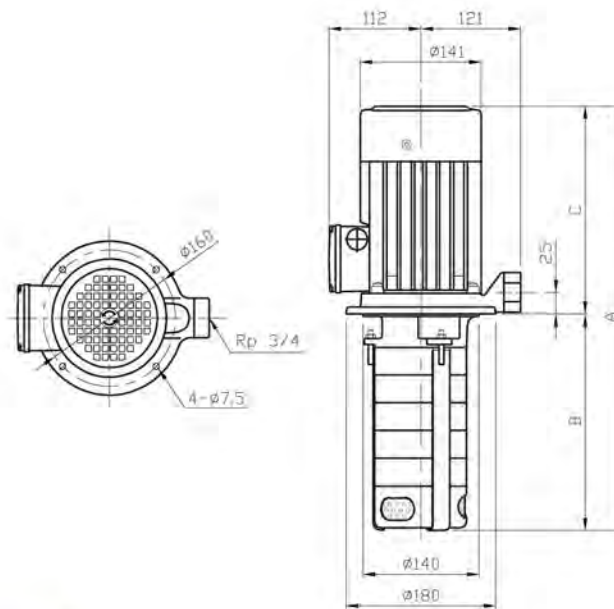
Pump Type	3X220-255/380-440V		Dimension (mm)			Net Weight (kg)
	P ₁ [W]	I _n [A]	A	B	C	
CBK 2-110/1	340	1.4-1.6 / 0.8-0.9	490	286	204	13.0
CBK 2-110/2	530	1.9-2.1 / 1.1-1.2	490	286	204	13.2
CBK 2-110/3	750	2.4-2.6 / 1.4-1.5	490	286	204	13.4
CBK 2-110/4	950	2.9-3.1 / 1.7-1.8	490	286	204	13.5
CBK 2-110/5	1280	3.8-4.0 / 2.2-2.3	530	286	244	14.8
CBK 2-110/6	1340	4.0-4.2 / 2.3-2.4	530	286	244	15.0
CBK 2-110/7	1750	5.4-5.6 / 3.1-3.2	530	286	244	16.3
CBK 2-110/8	1820	5.6-5.7 / 3.2-3.3	530	286	244	16.3





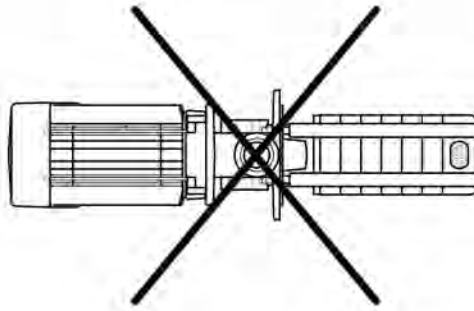
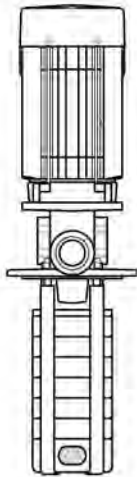
Dual Frequency

Pump Type	3X220-255/380-440V		Dimension (mm)			Net Weight (kg)
	P ₁ [W]	I _N [A]	A	B	C	
CBK 4-20/1	520	1.7-1.9 / 1.0-1.1	346	142	204	11.5
CBK 4-20/2	905	2.9-3.1 / 1.7-1.8	346	142	204	11.6
CBK 4-30/1	520	1.7-1.9 / 1.0-1.1	373	169	204	11.7
CBK 4-30/2	905	2.9-3.1 / 1.7-1.8	373	169	204	11.9
CBK 4-30/3	1330	4.2-4.3 / 2.4-2.5	413	169	244	13.4
CBK 4-40/1	520	1.7-1.9 / 1.0-1.1	400	196	204	12.0
CBK 4-40/2	905	2.9-3.1 / 1.7-1.8	400	196	204	12.1
CBK 4-40/3	1330	4.2-4.3 / 2.4-2.5	440	196	244	13.7
CBK 4-40/4	1650	5.0-5.2 / 2.9-3.0	440	196	244	14.9
CBK 4-50/1	520	1.7-1.9 / 1.0-1.1	427	223	204	12.1
CBK 4-50/2	905	2.9-3.1 / 1.7-1.8	427	223	204	12.3
CBK 4-50/3	1330	4.2-4.3 / 2.4-2.5	467	223	244	14.0
CBK 4-50/4	1650	5.0-5.2 / 2.9-3.0	467	223	244	15.1
CBK 4-50/5	1950	5.9-6.0 / 3.4-3.5	467	223	244	15.2
CBK 4-60/1	520	1.7-1.9 / 1.0-1.1	454	250	204	12.4
CBK 4-60/2	905	2.9-3.1 / 1.7-1.8	454	250	204	12.5
CBK 4-60/3	1330	4.2-4.3 / 2.4-2.5	494	250	244	14.1
CBK 4-60/4	1650	5.0-5.2 / 2.9-3.0	494	250	244	15.3
CBK 4-60/5	1950	5.9-6.0 / 3.4-3.5	494	250	244	15.5

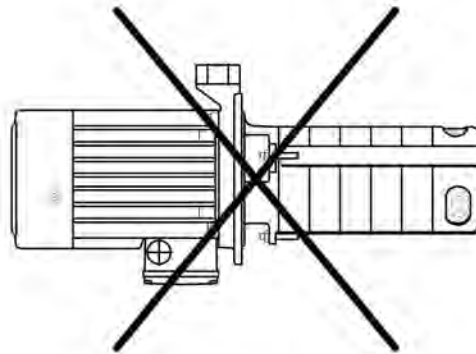
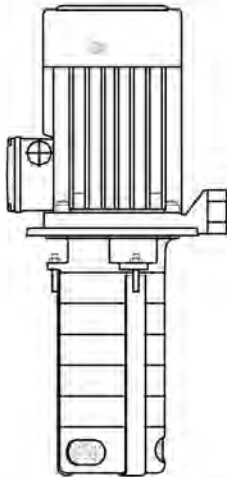


Dual Frequency

Pump Type	3X220-255/380-440V		Dimension (mm)			Net Weight (kg)
	P ₁ [W]	I _N [A]	A	B	C	
CBK 4-70/1	520	1.7-1.9 / 1.0-1.1	481	277	204	12.5
CBK 4-70/2	905	2.9-3.1 / 1.7-1.8	481	277	204	12.6
CBK 4-70/3	1330	4.2-4.3 / 2.4-2.5	521	277	244	14.2
CBK 4-70/4	1650	5.0-5.2 / 2.9-3.0	521	277	244	15.5
CBK 4-70/5	1950	5.9-6.0 / 3.4-3.5	521	277	244	15.6
CBK 4-80/1	520	1.7-1.9 / 1.0-1.1	508	304	204	12.7
CBK 4-80/2	905	2.9-3.1 / 1.7-1.8	508	304	204	12.9
CBK 4-80/3	1330	4.2-4.3 / 2.4-2.5	548	304	244	14.5
CBK 4-80/4	1650	5.0-5.2 / 2.9-3.0	548	304	244	15.7
CBK 4-80/5	1950	5.9-6.0 / 3.4-3.5	548	304	244	15.9



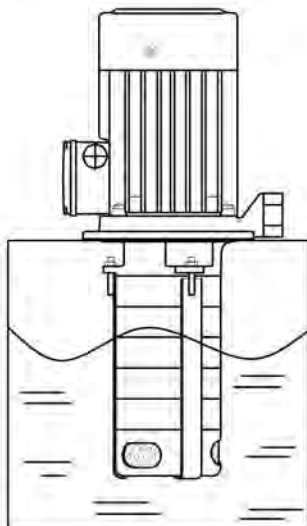
SBK series



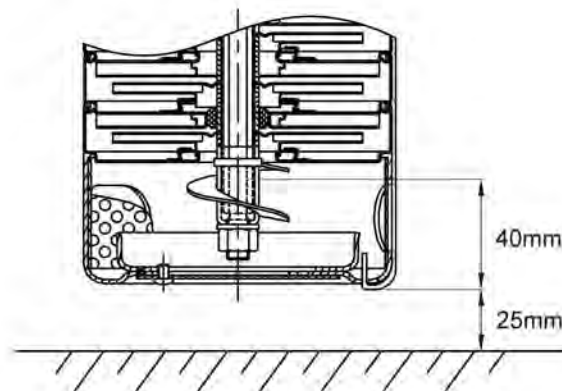
CBK series

Note

- > When you install the SBK 1,3,5 or CBK 2,4 series pumps, you must follow the instruction as below.
- > The distance between the liquid level and the pump bottom (Minimum) : 40mm
- > The distance between the pump and the tank bottom (Minimum) : 25mm



CBK 2, 4 series
SBK 1, 3, 5 series





No. 3-8, Sanchial Tsun, Lutsao Hsiang,
Chia Yi Hsien, Taiwan, R.O.C.

Tel :+886(0)53750488

Fax:+886(0)53752330

E-Mail:stairs@stairs.com.tw

www.stairs.com.tw